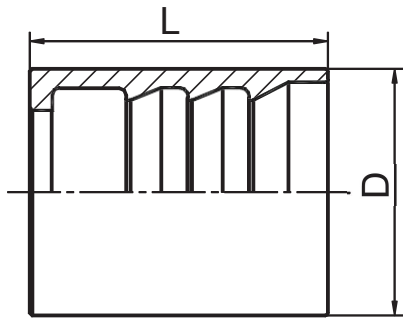


软管接头 **Hydraulic Hose Ferrule**



套筒 **Socket**

扣压式软管接头HOSE FITTING

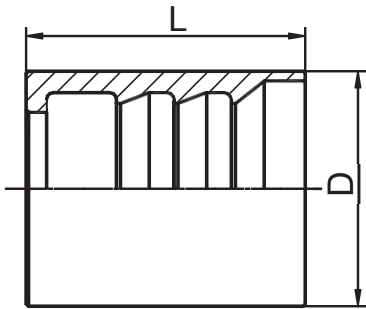


01100

国产一层编织软管套筒
FERRULE FOR CHINA 1-WIRE HOSE

代号 PART NO.	软管 HOSE BORE			尺寸 DIMENSIONS		
	公称内径DN	标号DASH		D	L	
01100-02	4	02		17	28	
01100-04	6	04		19	30	
01100-05	8	05		21	32	
01100-06	10	06		23	32	
01100-08	12	08		28	34	
01100-10	16	10		31	39	
01100-12	20	12		34	43	
01100-14	22	14		37	43	
01100-16	25	16		41	50	
01100-20	32	20		49	59	
01100-24	40	24		55	74	
01100-32	50	32		68	78	

扣压式软管接头HOSE FITTING

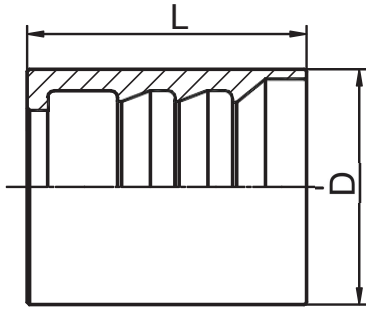


01200

国产二层编织软管套筒
FERRULE FOR CHINA 2-WIRE HOSE

代号 PART NO.	软管 HOSE BORE			尺寸 DIMENSIONS		
	公称内径DN	标号DASH		D	L	
01200-03	4	02		18.5	28	
01200-04	6	04		21.5	30	
01200-05	8	05		23	32	
01200-06	10	06		25	32	
01200-08	12	08		31	34	
01200-10	16	10		34	39	
01200-12	20	12		37	43	
01200-14	22	14		40	43	
01200-16	25	16		43	50	
01200-20	32	20		51	59	
01200-24	40	24		57	74	
01200-28	45	28		64	74	
01200-32	50	32		70	78	

扣压式软管接头HOSE FITTING

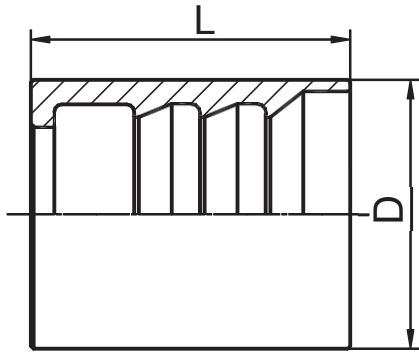


01300

国产三层编织软管套筒
FERRULE FOR CHINA 3-WIRE HOSE

01300-04		6	04		23	30	
01300-06		10	06		27	32	
01300-10		16	10		36	39	
01300-14		22	14		42	43	
01300-20		32	20		53	59	
01300-28		45	28		67	74	

扣压式软管接头HOSE FITTING

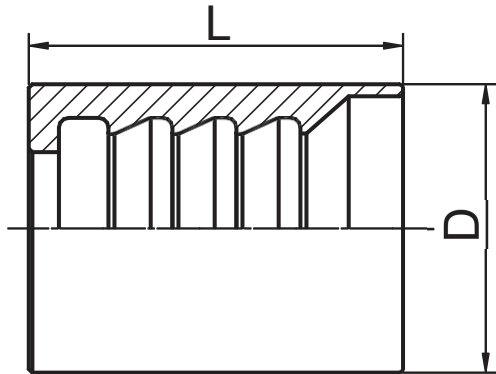


00100

SAE100R1A/DIN20022 1ST 软管套筒
 FERRULE FOR SAE100R1A/DIN20022 1ST HOSE

00100-03		5	03		17.5	27	
00100-05		8	05		21.5	31	
00100-08		12	08		28.5	34	
00100-12		20	12		36	43	
00100-20		32	20		50.5	59	
00100-32		50	32		70.6	78	

扣压式软管接头HOSE FITTING

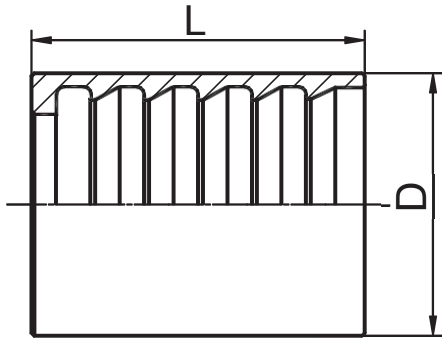


00200

SAE 100 R2AT/EN 853 2SN 软管套筒
 FERRULE FOR SAE 100 R2AT/EN 853 2SN HOSE

00200-20		32	20			59	
00200-32		50	32			78	

扣压式软管接头HOSE FITTING

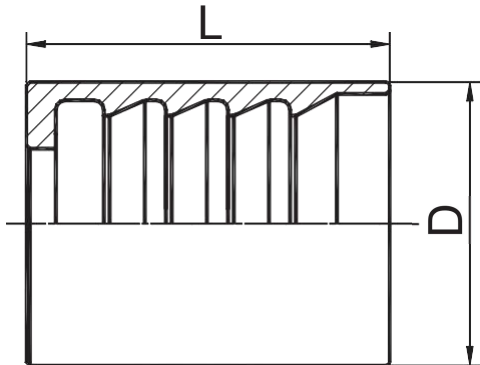


00110

SAE100R1AT/EN 853 1SN 软管套筒
 FERRULE FOR SAE100R1AT/EN 853 1SN HOSE

00110-20		32	20			59	
00110-32		50	32			78	

扣压式软管接头HOSE FITTING



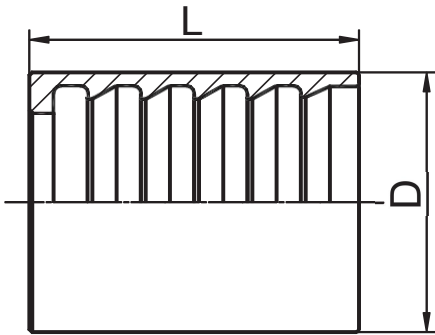
00210

SAE100R2AT/EN 853 2SN 软管套筒
FERRULE FOR SAE100R2AT/EN 853 2SN HOSE

00210-03		5	03			27
00210-05		8	05			31
00210-08		12	08			34
00210-12		20	12			43
00210-20		32	20			59
00210-32		50	32			78

注：不推荐用于工程机械。

扣压式软管接头HOSE FITTING

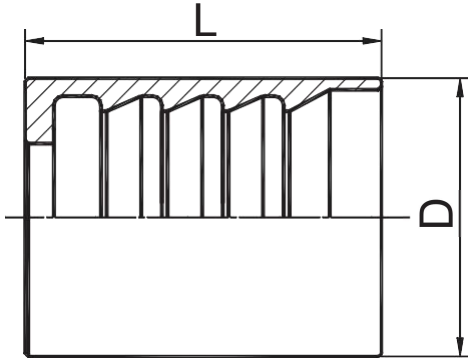


00110T/00210T

SAE100R1AT(R2AT)/DIN20022 1SN(2SN) 胶管套筒
 FERRULE FOR SAE100R1AT(R2AT)
 /DIN20022 1SN(2SN) HOSE

00110-04T		6	04		19.8	30	
00110-08T		12	08		27	34	
00210-06T		10	06		25	32	
用于防自转安装系列							

扣压式软管接头HOSE FITTING

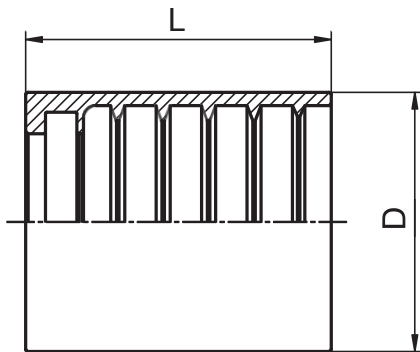


00210T

SAE100R2AT/DIN20022 2SN 胶管套筒
 FERRULE FOR SAE100R2AT/DIN20022 2SN HOSE

00210-04T		6	04		22.2	30	
00210-08T		12	08		28.3	34	
用于防自转安装系列							

扣压式软管接头HOSE FITTING

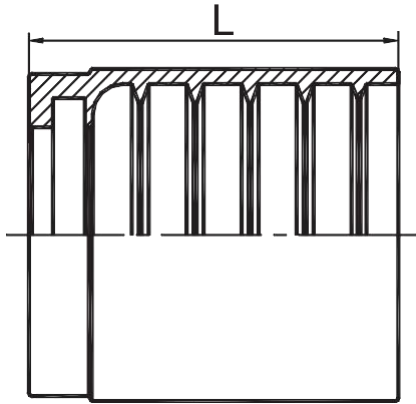


00110-A

SAE100R1AT/DIN20022 1SN 软管套筒
 FERRULE FOR SAE100R1AT/DIN20022 1SN HOSE

代号 PART NO.	软管 HOSE BORE		尺寸 DIMENSIONS			
	公称内径DN	标号DASH	D	L		
00110-03A	5	03	18.5	23		
00110-04A	6	04	21	30.5		
00110-05A	8	05	21.5	30		
00110-06A	10	06	24.3	32		
00110-08A	12	08	28	34		
00110-10A	16	10	31.3	37		
00110-12A	20	12	35.5	42		
00110-16A	25	16	43.5	51		

扣压式软管接头HOSE FITTING

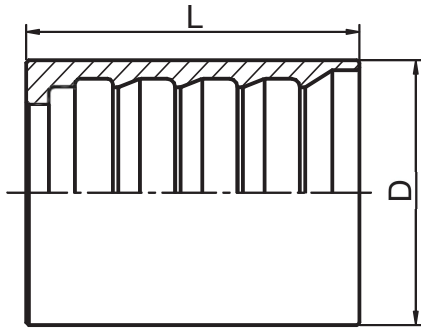


03310

SAE 100 R2AT/EN 853 2SN 软管套筒
 FERRULE FOR SAE 100 R2AT/EN 853 2SN HOSE

03310-03		5	03		23	
03310-05		8	05		30	
03310-08		12	08		34	
03310-12		19	12		42	

扣压式软管接头HOSE FITTING

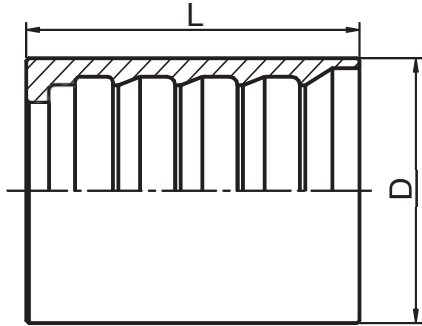


01400

R12/20-24 软管套筒
FERRULE FOR R12/20-24 HOSE

01400-20		32	20			67.5	

扣压式软管接头HOSE FITTING

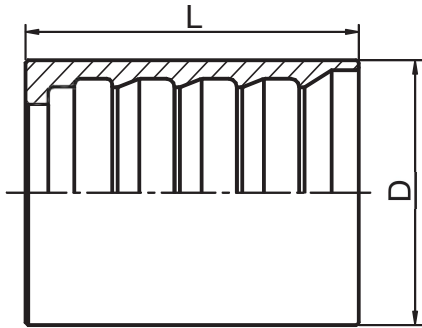


01401

浦江牌A型四层钢丝缠绕软管套筒
 FERRULE FOR 'PUJIANG' 4SA SPIRAL HOSE

Part Number	Length (mm)	Dimensions (mm)		Inner Diameter (mm)	Outer Diameter (mm)	
		Length	Width		Inner	Outer
01401-04		6	04	25.5	37.5	
01401-06		10	06	29.5	39	
01401-10		16	10	40	43	
01401-14		22	14	47	54	
01401-20		32	20	60.5	67.5	
01401-28		45	28	75	76	

扣压式软管接头HOSE FITTING

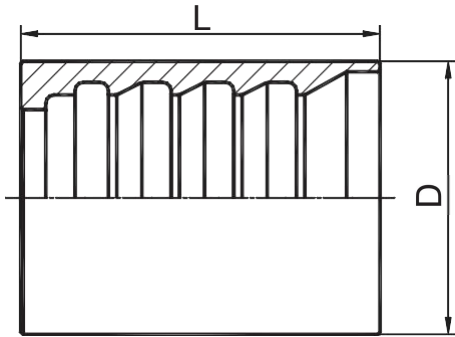


01402

浦江牌B型四层钢丝缠绕软管套筒
 FERRULE FOR 'PUJIANG' 4SB SPIRAL HOSE

01402-10		16	10		37.5	43	
01402-14		22	14		44.5	54	
01402-20		32	20		56	67.5	

扣压式软管接头HOSE FITTING

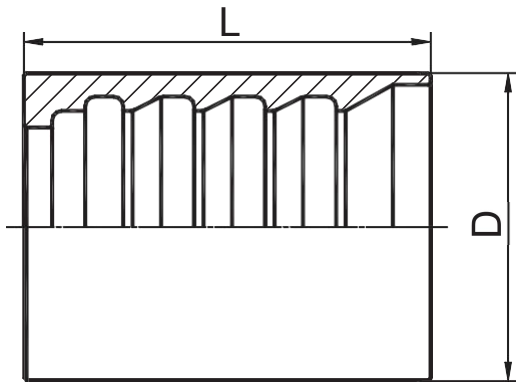


00400

4SP、4SH/12-16、R12/06-16 软管套筒
 FERRULE FOR 4SP、4SH/12-16、R12/06-16 HOSE

代号 PART NO.	软管 HOSE BORE		尺寸 DIMENSIONS			
	公称内径DN	标号DASH			L	
00400-04	6	04			37.5	
00400-06	10	06			39	
00400-08	12	08			41	
00400-10	16	10			43	
00400-12	20	12			51	
00400-16	25	16			61.5	
00400-20	32	20			67.5	
00400-24	40	24			75	
00400-32	50	32			79	

扣压式软管接头HOSE FITTING

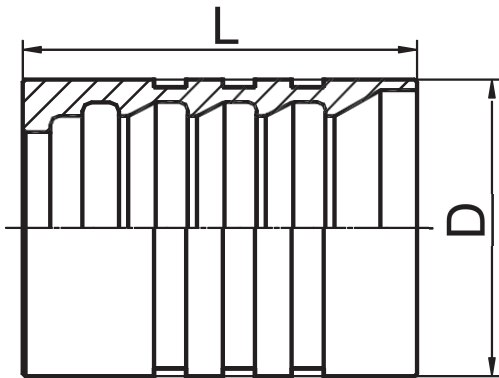


00401

4SH、R12/32 软管套筒
 FERRULE FOR 4SH、R12/32 HOSE

00401-20		32	20			67.5	
00401-32		50	32			79	

扣压式软管接头HOSE FITTING



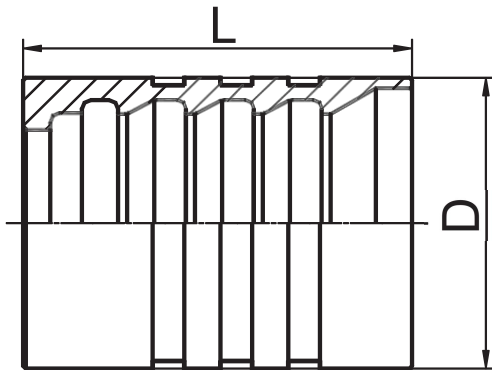
00402

SAE 100 R9AT-R12,DIN EN
856-4SP/04-16 软管套筒
FERRULE FOR SAE 100 R9AT-R12,
DIN EN 856-4SP/04-16 HOSE

代号 PART NO.	软管 HOSE BORE		尺寸 DIMENSIONS			
	公称内径DN	标号DASH	D	L		
00402-04	6	04	21.5	30		
00402-06	10	06	26	33		
00402-08	12	08	30	34		
00402-10	16	10	33	39		
00402-12	20	12	38	40		
00402-16	25	16	46	51		
00402-20	32	20	55	60		
00402-24	40	24	63	70		
00402-32	50	32	77	72		

注：使用前需向指定分销商查询扣压参数

扣压式软管接头HOSE FITTING



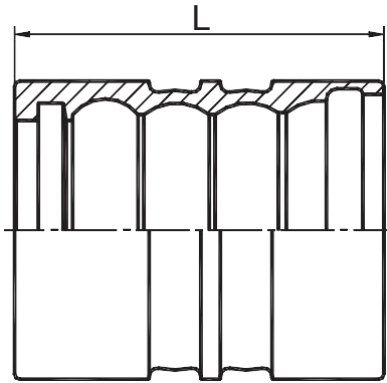
00403

DIN EN 856-4SP 软管套筒
FERRULE FOR DIN EN 856-4SP HOSE

代号 PART NO.	软管 HOSE BORE		尺寸 DIMENSIONS			
	公称内径DN	标号DASH	D	L		
00403-20	32	20	57	60		
00403-24	40	24	65	70		
00403-32	50	32	79	72		

注：使用前需向指定分销商查询扣压参数

扣压式软管接头HOSE FITTING

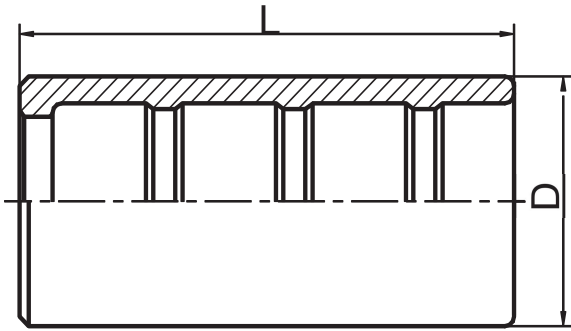


00405

DIN20023 4SH 胶管套筒
FERRULE FOR DIN20023 4SH HOSE

代号 PART NO.	胶管 HOSE BORE			尺寸 DIMENSIONS		
	公称内径DN	标号 DASH			L	
00405-12	20	12			56	
00405-16	25	16			64	
00405-20	32	20			70	
00405-24	38	24			82.5	
00405-32	50	32			82.5	

扣压式软管接头HOSE FITTING

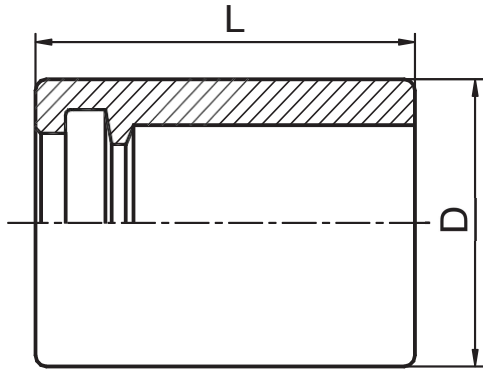


00018

SAE 100 R7 软管套筒
FERRULE FOR SAE100R7 HOSE

代号 PART NO.	软管 HOSE BORE		尺寸 DIMENSIONS			
	公称内径 DN	标号 DASH	D	L		
00018-03	5	03	14.2	27		
00018-04	6	04	17	29		
00018-05	8	05	18.8	31		
00018-06	10	06	21	31		
00018-08	12	08	25.5	34		
00018-10	16	10	31.5	36		
00018-12	20	12	33	43		

扣压式软管接头HOSE FITTING

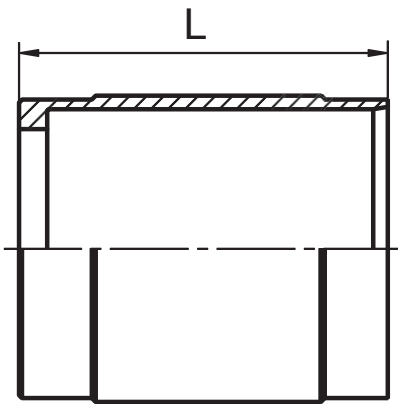


00TF0

铁氟龙套筒
FERRULE FOR TEFLON HOSE

Part Number	Length (mm)	Inner Diameter (mm)	Outer Diameter (mm)	Dimensions		
				Length (mm)	Inner Diameter (mm)	Outer Diameter (mm)
00TF0-03	4	03			27.5	
00TF0-05	8	05			30.6	
00TF0-08	12	08			34.3	
00TF0-12	20	12			42.8	
00TF0-16	25	16			50.8	

扣压式软管接头HOSE FITTING

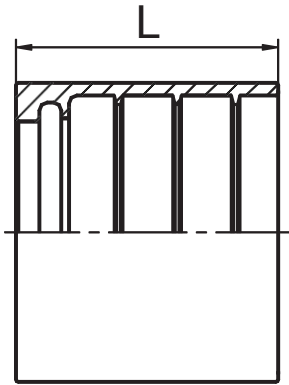


00710

铁氟龙套筒
FERRULE FOR TEFLON HOSE

00710-06		10	06			28.6	
00710-12		20	12			38	
00710-20		32	20			54	
00710-32		50	32			69.8	

扣压式软管接头HOSE FITTING



00500

SAE 100 R5 胶管套筒
FERRULE FOR SAE100R5 HOSE

00500-03	4	03	04			22.6	
00500-05	8	05	06			22.4	
00500-08	12	08	10			27.7	
00500-14	22	14	16			33.5	
00500-22	35	22	24			47.0	
00500-38	60	38	40			63.0	