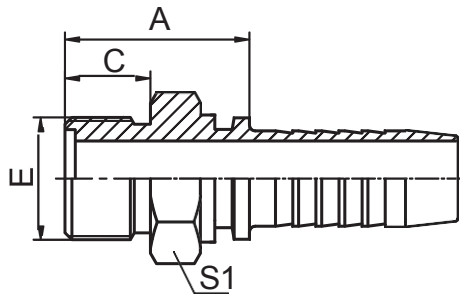


标准芯 **Braided**

# 扣压式软管接头SWAGED HOSE FITTING



## 10311

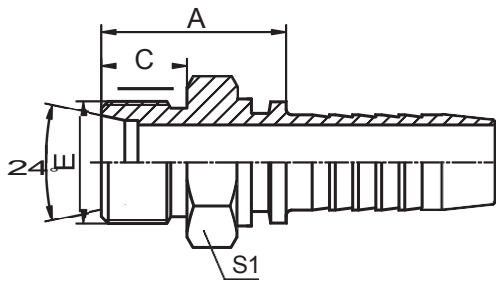
公制外螺纹平面O形圈密封  
O-RING METRIC MALE FLAT SEAL

参考 REF. JB/T 988

代号 PART NO.	螺纹 E THREAD E	软管 HOSE BORE		尺寸 DIMENSIONS		
		公称内径 DN	标号 DASH	A	C	S1
10311-12-04	M12X1.25	6	04	22.5	10	14
10311-14-04	M14X1.5	6	04	23.5	11	14
10311-16-04	M16X1.5	6	04	23.5	11	17
10311-16-05	M16X1.5	8	05	23.5	11	17
10311-16-06	M16X1.5	10	06	23.5	11	17
10311-18-06	M18X1.5	10	06	23.5	11	19
10311-22-05	M22X1.5	8	5	27	12	24
10311-22-06	M22X1.5	10	06	26	12	24
10311-22-08	M22X1.5	12	08	26.5	12	24
10311-27-10	M27X1.5	16	10	31.5	13	30
10311-30-12	M30X1.5	20	12	33.5	14	32
10311-36-12	M36X2	20	12	35.5	16	38
10311-36-14	M36X2	22	14	35.5	16	38
10311-39-16	M39X2	25	16	39	16	41
10311-45-20	M45X2	32	20	44.5	20	46
10311-52-24	M52X2	40	24	47.5	22	55
10311-64-32	M64X2	50	32	52.5	27	65

注: 1.上述代号用于编织软管。 2.如需用于缠绕软管代号改为 10312-xx-xx。  
Note: 1.For use with braided hoses. 2.If use with spiral hoses, hose fitting series number is 10312-xx-xx.

# 扣压式软管接头HOSE FITTING

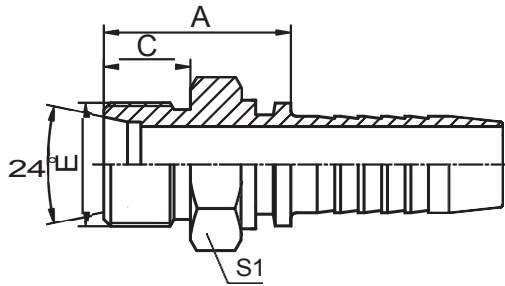


## 10411

公制外螺纹24°内锥面轻系列  
METRIC MALE 24° CONE SEAT L.T.DIN 3853

Part No.	Thread	Dimensions			Other Dimensions			
		Dimension 1	Dimension 2	Dimension 3	Dimension 4	Dimension 5	Dimension 6	Dimension 7
10411-12-04	M12X1.5	6	04	6	20.5	10	12	
10411-14-05	M14X1.5	8	05	8	21.5	10	14	
10411-16-05	M16X1.5	8	05	10	22.5	11	17	
10411-18-05	M18X1.5	8	05	12	23.5	11	19	
10411-22-06	M22X1.5	10	06	15	24.5	12	24	
10411-26-08	M26X1.5	12	08	18	26.5	12	27	
10411-27-10	M27X1.5	16	10	18	32	14	30	
10411-30-12	M30X2	20	12	22	29	14	32	
10411-45-20	M45X2	32	20	35	36	16	46	

# 扣压式软管接头HOSE FITTING

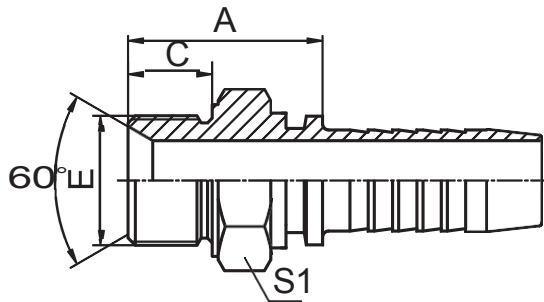


## 10511

公制外螺纹 24° 内锥面重系列  
METRIC MALE 24° CONE SEAT H.T.DIN3853

Part No.	Thread	Dimensions		Length	Dimensions			Weight	Material
		W	H		W	H	W		
10511-14-04	M14X1.5	6	04	6	24.5	12	14		
10511-18-04	M18X1.5	6	04	10	26.5	12	19		
10511-20-06	M20X1.5	10	06	12	26.5	12	22		
10511-22-06	M22X1.5	10	06	14	30.5	14	24		
10511-24-08	M24X1.5	12	08	16	31.5	14	27		
10511-30-12	M30X2	20	12	20	36	16	32		
10511-36-16	M36X2	25	16	25	41.5	18	38		
10511-42-20	M42X2	32	20	30	45	20	46		

# 扣压式软管接头HOSE FITTING

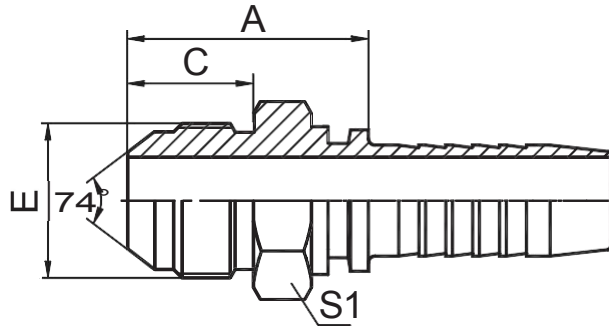


## 10611

公制外螺纹 60°内锥面  
METRIC MALE 60°CONE SEAT

10611-14-04	M14X1.5	6	04		23.5	11	19
10611-16-04	M16X1.5	6	04		27.5	12	22
10611-18-06	M18X1.5	10	06		29.5	12	24
10611-22-08	M22X1.5	12	08		31	14	27
10611-26-10	M26X1.5	16	10		35	16	32
10611-27-10	M27X2	16	10		37	18	32
10611-30-12	M30X2	20	12		38	18	36
10611-42-20	M42X2	32	20		46	20	50
10611-48-24	M48X2	40	24		46	20	55

# 扣压式软管接头HOSE FITTING



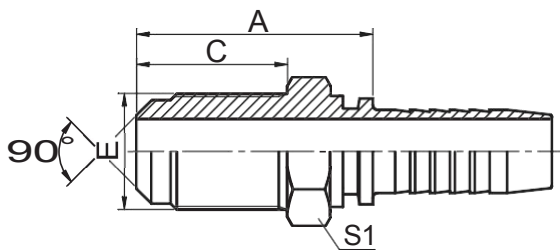
**10711**

国标公制外螺纹 74° 外锥面  
GB METRIC MALE 74° CONE

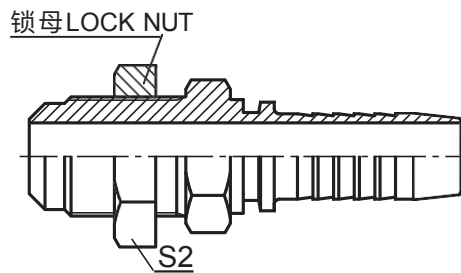
代号 PART NO.	螺纹 E THREAD E	胶管 HOSE BORE		尺寸 DIMENSIONS				
		公称内径 DN	标号 DASH	A	C	S1		
10711-10-02	M10X1	4	02	23	12.5	14		
10711-10-03	M10X1	5	03	23	12.5	14		
10711-12-03	M12X1.5	5	03	26.5	15.7	14		
10711-12-03C	M12X1.25	5	03	24.5	14	14		
10711-14-04	M14X1.5	6	04	30.5	18	17		
10711-14-06	M14X1.5	10	06	30.5	18	17		
10711-16-05	M16X1.5	8	05	31.5	19	17		
10711-16-06	M16X1.5	10	06	31.5	19	17		
10711-18-06	M18X1.5	10	06	31.5	19	19		
10711-22-08	M22X1.5	12	08	35	19.5	24		
10711-24-08	M24X1.5	12	08	37	20	27		
10711-27-10	M27X1.5	16	10	38.5	20.5	30		
10711-30-12	M30X1.5	20	12	42.5	23	32		
10711-30-12E	M30X2	20	12	45.5	26	32		
10711-33-12	M33X2	20	12	45	26	36		
10711-36-14	M36X2	22	14	45	26	38		
10711-39-16	M39X2	25	16	48	27.5	41		
10711-42-20	M42X2	32	20	52	28.5	46		
10711-45-20	M45X2	32	20	52	28.5	46		

注：1. 表中代号用于编织软管。 2. 如需用于缠绕软管代号改为 10712-xx-xx。  
Note: 1.For use with braided hoses. 2.If use with spiral hoses, hose fitting series number is 10712-xx-xx.

# 扣压式软管接头HOSE FITTING



**10811L**



**10811L-LN**

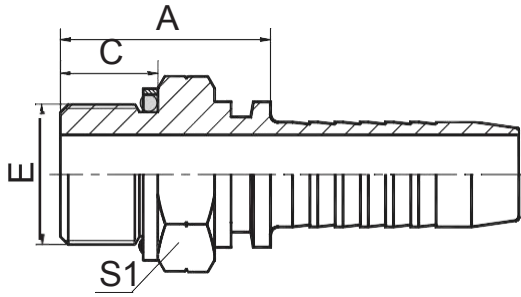
公制外螺纹 90°外锥面  
METRIC MALE 90° CONE

PART NO.	THREAD E	公称内径 DN	标号 DASH	A	C	S1	S2
10811L-12-04	M12X1.5	6	04	46	34	17	17
10811L-12-04A	M12X1	6	04	44.5	32.5	17	17
10811L-14-04	M14X1.5	6	04	46	34	17	19
10811L-14-06	M14X1.5	10	06	46.5	34	17	19
10811L-16-04	M16X1.5	6	04	46.5	34	19	22
10811L-16-06	M16X1.5	10	06	46.5	34	22	22
10811L-20-06	M20X1.5	10	6	57	40	27	27
10811L-20-08	M20X1.5	12	08	57.5	40	27	27
10811L-22-08	M22X1.5	12	08	62.5	45	27	27

注：如需带锁母订货，则请在代号后加"LN"，如 10811L-12-04LN。

Note: if you are interested to order the fitting with lock nut, please insert suffix "LN" after our part no. for example 10811L-12-04LN.

# 扣压式软管接头HOSE FITTING



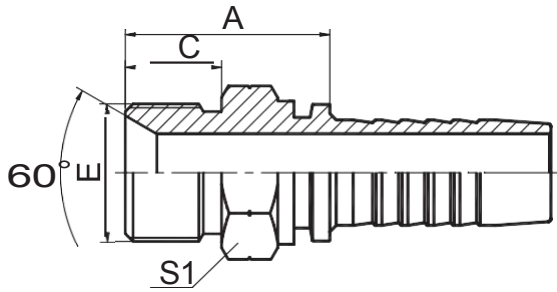
**12211**

英管外螺纹O形圈密封  
BSP MALE O-RING SEAL

12211-04-04	G1/4"X19	6	04	O111	23.5	11	19	
12211-06-06	G3/8"X19	10	06	O113	26.5	12	22	
12211-08-06	G1/2"X14	10	06	O115	33.5	14	27	
12211-10-10	G5/8"X14	16	10	O910	36	15.5	30	
12211-12-12	G3/4"X14	20	12	O119	38	15.5	32	
12211-16-16	G1"X11	25	16	O217	44.5	18.5	41	



# 扣压式软管接头HOSE FITTING

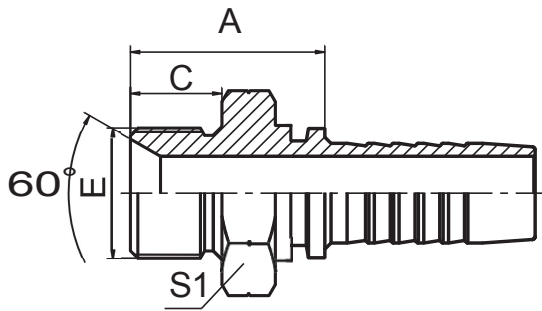


**12611**

英管外螺纹 60°内锥面  
BSP MALE 60° CONE SEAT

12611-02-03	G1/8"X28	5	03		22	10	12		
12611-06-05	G3/8"X19	8	05		26	13.5	17		
12611-06-08	G3/8"X19	12	08		26.5	13.5	19		
12611-08-08	G1/2"X14	12	08		31	16	22		
12611-10-10	G5/8"X14	16	10		33.5	17.5	24		
12611-12-10	G3/4"X14	16	10		37	18.5	27		
12611-16-12	G1"X11	20	12		40.5	20.5	36		
12611-20-16	G1.1/4"X11	25	16		43.5	20.5	46		
12611-24-20	G.1/2"X11	32	20		49	23	50		
12611-32-32	G2"X11	50	32		53.5	25.5	65		

# 扣压式软管接头HOSE FITTING



## 12611A

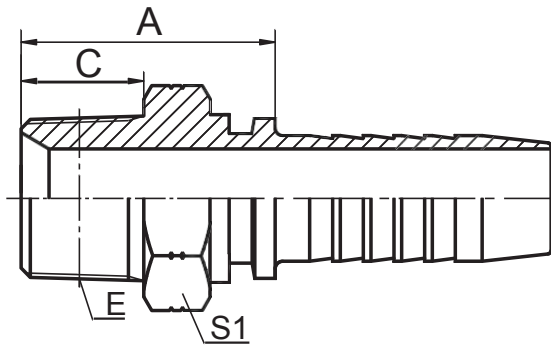
英管外螺纹 60°内锥面或六角端面  
用组合垫密封的双用接头

BSP MALE DOUBLE USE FOR 60°  
CONE SEAT OR BONDED SEAL

12611A-02-03	G1/8"X28	5	03	22	10	14		
12611A-04-05	G1/4"X19	8	05	24.5	12	19		
12611A-06-06	G3/8"X19	10	06	28	13.5	22		
12611A-08-06	G1/2"X14	10	06	33	16	27		
12611A-08-10	G1/2"X14	16	10	32	16	27		
12611A-10-10	G5/8"X14	16	10	36	17.5	30		
12611A-12-10	G3/4"X14	16	10	37.5	18.5	32		
12611A-16-12	G1"X11	20	12	42.5	20.5	41		
12611A-20-16	G1.1/4"X11	25	16	45.5	20.5	50		
12611A-24-24	G.1/2"X11	40	24	49	23	55		

注：该系列的密封型式可采用 60° 锥面密封，也可在六角端面放组合垫密封。

# 扣压式软管接头HOSE FITTING

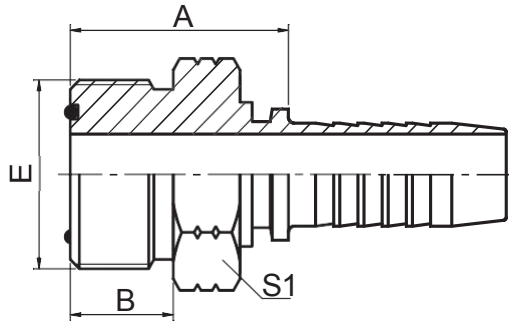


**13011-SP**

英锥管外螺纹  
BSPT MALE

13011-02-03SP	R1/8"X28	5	03		22	10	12	
13011-04-04SP	R1/4"X19	6	04		27	14.5	14	
13011-04-06SP	R1/4"X19	10	06		27	14.5	17	
13011-06-05SP	R3/8"X19	8	05		26.5	15	17	
13011-06-08SP	R3/8"X19	12	08		30	15	19	
13011-08-08SP	R1/2"X14	12	08		35	20	22	
13011-08-12SP	R1/2"X14	20	12		38	20	27	
13011-12-10SP	R3/4"X14	16	10		38	20	27	
13011-12-16SP	R3/4"X14	25	16		39.5	20	32	
13011-16-16SP	R1"X11	25	16		45	25.5	36	
13011-24-24SP	R1.1/2"X11	40	24		52.5	26.5	50	
13011-32-32SP	R2"X11	50	32		57	30	65	

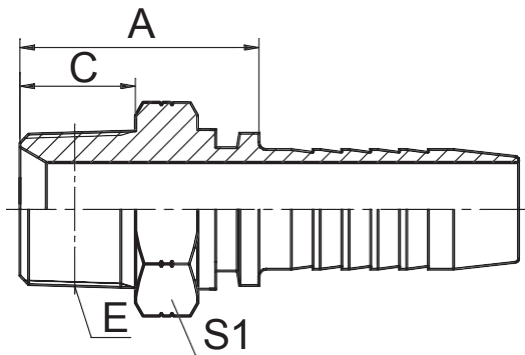
# 扣压式软管接头HOSE FITTING



**14211**

代号 PART NO.	螺纹 E THREAD E	胶管 HOSE BORE		O形圈 O-RING	尺寸 DIMENSIONS		
		公称内径 DN	标号 DASH		A	B	S1
14211-04-04	9/16"X18	6	04	O011	22.5	9.8	17
14211-06-04	11/16"X16	6	04	O012	24	11.2	19
14211-06-06	11/16"X16	10	06	O012	24	11.2	19
14211-08-06	13/16"X16	10	06	O014	27.5	12.8	22
14211-08-08	13/16"X16	12	08	O014	28.5	12.8	22
14211-08-10	13/16"X16	16	10	O014	28.5	12.8	22
14211-10-08	1"X14	12	08	O016	32.5	15.5	27
14211-10-10	1"X14	16	10	O016	33.5	15.5	27
14211-12-08	1.3/16"X12	12	08	O018	35.5	17	32
14211-12-10	1.3/16"X12	16	10	O018	36	17	32
14211-12-12	1.3/16"X12	20	12	O018	36.5	17	32
14211-16-12	1.7/16"X12	20	12	O021	37	17.5	38
14211-16-16	1.7/16"X12	25	16	O021	38.5	17.5	38
14211-20-20	1.11/16"X12	32	20	O025	41.5	17.5	46
14211-24-24	2"X12	40	24	O029	46.5	17.5	55

# 扣压式软管接头HOSE FITTING

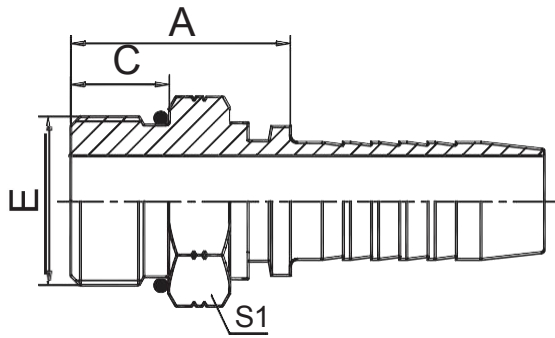


**15611**

布锥管外螺纹  
NPT MALE

Part Number	Thread Size	Dimensions		Lengths		
		Length	Thread Length	Total Length	Thread Diameter	Body Diameter
15611-02-03	Z1/8"X27	5	03	21.5	10.5	12
15611-04-03	Z1/4"X18	5	03	27	15	17
15611-04-05	Z1/4"X18	8	05	28	15	17
15611-06-04	Z3/8"X18	6	04	28	16	19
15611-06-06	Z3/8"X18	10	06	29	16	19
15611-08-06	Z1/2"X14	10	06	34	19.5	22
15611-08-10	Z1/2"X14	16	10	35.5	19.5	22
15611-12-10	Z3/4"X14	16	10	37.5	19.5	27
15611-12-16	Z3/4"X14	25	16	39.5	19.5	32
15611-16-12	Z1"X11.5	20	12	45	25.5	36
15611-20-16	Z1.1/4"X11.5	25	16	49	26.5	46
15611-24-24	Z1.1/2"X11.5	40	24	51	27.5	50

# 扣压式软管接头SWAGED HOSE FITTING



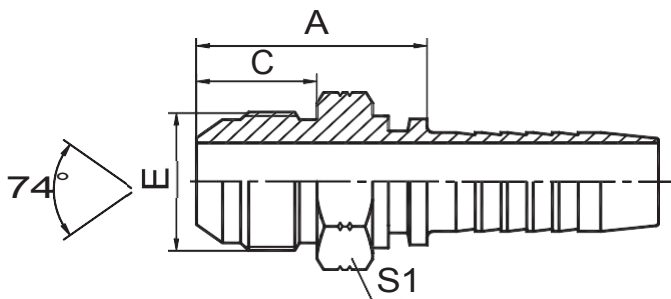
## 16011

美制SAE 外螺纹带O形圈  
SAE O-RING MALE  
ISO 11926--SAE J1926

16011-04-04	7/16"X20	6	04	O904	21.5	9.1	14
16011-06-05	9/16"X18	8	05	O906	22.5	9.9	17
16011-08-06	3/4"X16	10	06	O908	23.5	11.1	22
16011-10-08	7/8"X14	12	08	O910	30	12.7	27
16011-12-10	1.1/16"X12	16	10	O912	34	15.1	32
16011-16-16	1.5/16"X12	25	16	O916	36	15.1	38

注: 1.上述代号用于编织软管。 2.如需用于缠绕软管代号改为 16012-xx-xx。  
Note: 1.For use with braided hoses. 2.If use with spiral hoses, hose fitting series number is 16012-xx-xx.

# 扣压式软管接头 SWAGED HOSE FITTING



## 16711

美制JIC 外螺纹 74°外锥面  
 JIC MALE 74° CONE  
 ISO 8434-2--SAE J514

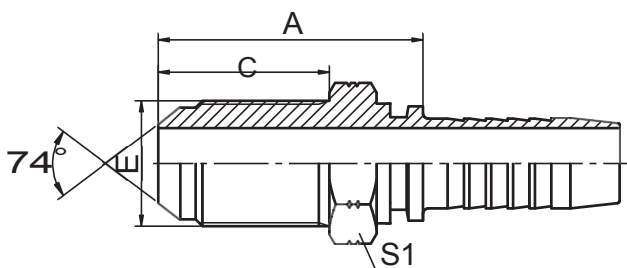
16711-04-03	7/16"X20	5	03		26	14	12
16711-05-04	1/2"X20	6	04		26.5	14	14
16711-05-06	1/2"X20	10	06		26.5	14	17
16711-06-05	9/16"X18	8	05		26.5	14.1	17
16711-08-06	3/4"X16	10	06		31.5	16.7	22
16711-10-06	7/8"X14	10	06		33.5	19.3	24
16711-10-10	7/8"X14	16	10		35	19.3	24
16711-12-10	1.1/16"X12	16	10		39.5	21.9	30
16711-12-16	1.1/16"X12	25	16		42	21.9	30
16711-14-12	1.3/16"X12	20	12		40.5	22.6	32
16711-16-16	1.5/16"X12	25	16		43.5	23.1	36
16711-20-20	1.5/8"X12	32	20		47.5	24.3	46
16711-24-24	1.7/8"X12	40	24		53	27.5	50

注: 1.上述代号用于编织软管。

2.如需用于缠绕软管代号改为16712-xx-xx。

Note: 1.For use with braided hoses. 2.If use with spiral hoses, hose fitting series number is 16712-xx-xx.

# 扣压式软管接头HOSE FITTING



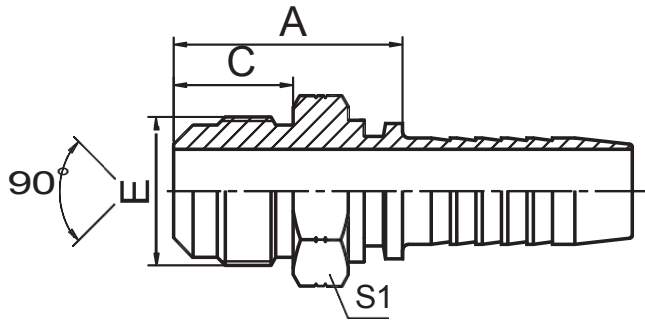
## 16711L

美制JIC 外螺纹 74°外锥面  
JIC MALE 74° CONE

代号 PART NO.	螺 纹 E THREAD E	胶 管 HOSE BORE		尺 寸 DIMENSIONS			
		公称内径 DN	标号 DASH	A	C	S1	
16711L-04-04	7/16"X20	6	04	43	30.5	17	
16711L-05-04	1/2"X20	6	04	43	30.5	19	
16711L-05-05	1/2"X20	8	05	43	30.5	19	
16711L-06-04	9/16"X18	6	04	47	32.5	22	
16711L-06-05	9/16"X18	8	05	47	32.5	22	
16711L-06-06	9/16"X18	10	06	47	32.5	22	
16711L-08-06	3/4"X16	10	06	51	36.5	24	
16711L-08-08	3/4"X16	12	08	51.5	36.5	24	
16711L-10-06	7/8"X14	10	06	56.5	40	30	
16711L-10-08	7/8"X14	12	08	57	40	30	
16711L-10-10	7/8"X14	16	10	58	40	30	
16711L-12-08	1.1/16"X12	12	08	63	44.5	36	
16711L-12-10	1.1/16"X12	16	10	64	44.5	36	
16711L-12-12	1.1/16"X12	20	12	64	44.5	36	
16711L-16-12	1.5/16"X12	20	12	66	44.5	41	
16711L-16-16	1.5/16"X12	25	16	67	44.5	41	
16711L-20-16	1.5/8"X12	25	16	70.5	45.7	50	
16711L-20-20	1.5/8"X12	32	20	71.2	45.7	50	
16711L-24-20	1.7/8"X12	32	20	71.5	46	55	
16711L-24-24	1.7/8"X12	40	24	71.5	46	55	



# 扣压式软管接头SWAGED HOSE FITTING

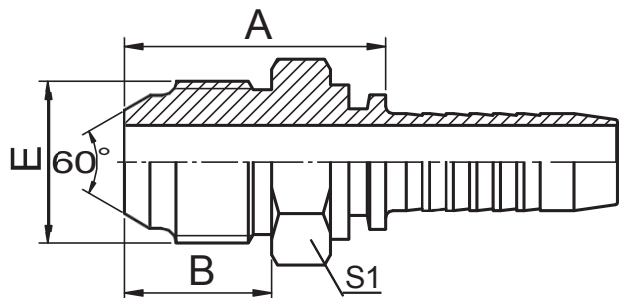


## 17811

美制SAE 外螺纹 90° 外锥面  
 SAE MALE 90° CONE  
 SAE J513

17811-04-04	7/16"X20	6	04		25.5	12.7	12
17811-06-06	5/8"X18	10	06		28.5	15.7	17
17811-10-10	7/8"X14	16	10		38.5	22.4	24
注: 1. 上述代号用于编织软管。      2. 如需用于缠绕软管代号改为 17812-xx-xx。 Note: 1.For use with braided hoses.    2.If use with spiral hoses, hose fitting series number is 17812-xx-xx.							

# 扣压式软管接头SWAGED HOSE FITTING

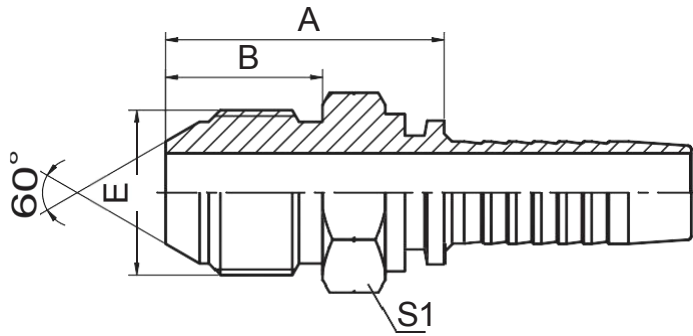


**18611**

日本公制外螺纹 60° 外锥面  
JIS METRIC MALE 60° CONE SEAT

18611-14-04	M14X1.5	6	04		29.5	17	17
18611-16-06	M16X1.5	10	06		30.5	18	17
18611-20-08	M20X1.5	12	08		35	20	22
18611-24-10	M24X1.5	16	10		39.5	21.5	27
18611-33-16	M33X1.5	25	16		50.5	30	36
18611-42-24	M42X1.5	40	24		59.5	36	46
注: 1. 上述代号用于编织软管。 2. 如需用于缠绕软管代号改为 18612-xx-xx。 Note: 1.For use with braided hoses. 2.If use with spiral hoses, hose fitting series number is 18612-xx-xx.							

# 扣压式软管接HOSE FITTING



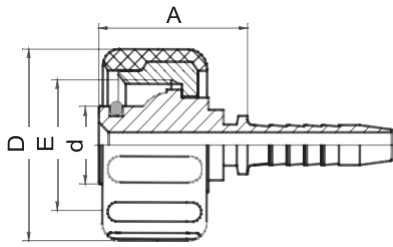
**19611**

日本英制外螺纹 60°外锥面  
JIS BSPP MALE 60° CONE SEAT

代号 PART NO.	螺纹 E THREAD E	胶管 HOSE BORE		尺寸 DIMENSIONS				
		公称内径 DN	标号 DASH	A	B	S1		
19611-04-04	G1/4"X19	6	04	29	16	17		
19611-06-06	G3/8"X19	10	06	31	18	19		
19611-08-08	G1/2"X14	12	08	35.5	20	22		
19611-12-12	G3/4"X14	20	12	41	22	30		
19611-16-16	G1"X11	25	16	45.5	24	36		

注：1. 表中代号用于编织软管。 2. 如需用于缠绕软管代号改为 19612-xx-xx。  
Note: 1.For use with braided hoses. 2.If use with spiral hoses, hose fitting series number is 19612-xx-xx.

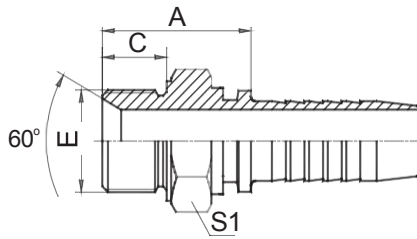
# 扣压式软管接头HOSE FITTING



## 20011-ST

公制内螺纹高压水管  
METRIC FEMALE WATERWASH INSERTS

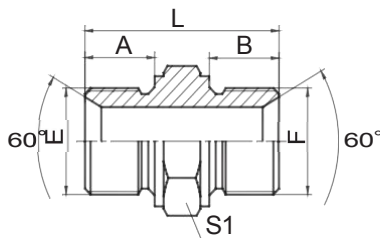
代号 PART NO.	螺纹 E THREAD E	胶管 HOSE BORE		尺寸 DIMENSIONS		
		公称内径 DN	标号 DASH	A	d	D
20011-22-03ST	M22X1.5	5	03	24.5	14	34.5
20011-22-04ST	M22X1.5	6	04	25	14	34.5
20011-22-05ST	M22X1.5	8	05	25	14	34.5
20011-22-06ST	M22X1.5	10	06	25	14	34.5



## 10611

公制外螺纹 60°内锥面  
METRIC MALE 60° CONE SEAT

代号 PART NO.	螺纹 E THREAD E	胶管 HOSE BORE		尺寸 DIMENSIONS		
		公称内径 DN	标号 DASH	A	C	S1
10611-22-04	M22X1.5	6	04	30.5	14	27
10611-22-05	M22X1.5	8	05	30.5	14	27
10611-22-06	M22X1.5	10	06	30.5	14	27



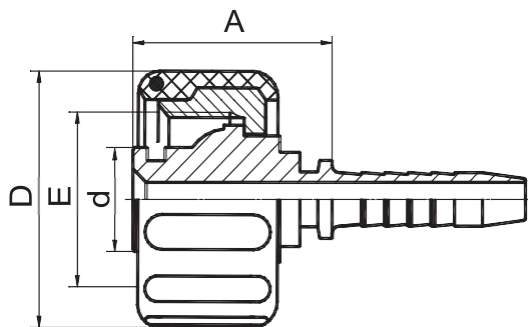
## 1M-R

公制外螺纹 60°内锥  
METRIC MALE 60° SEAT

代号 PART NO.	螺纹 THREAD		尺寸 DIMENSIONS			
	E	F	A	B	L	S1
1M-22R	M22X1.5	M22X1.5	14	14	36	24

注：标准密封圈丁晴胶  
STANDARD O-RING NBR

# 扣压式软管接头SWAGED HOSE FITTING

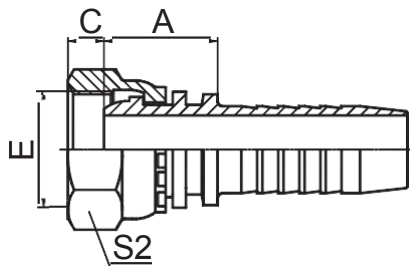


**20011-T**

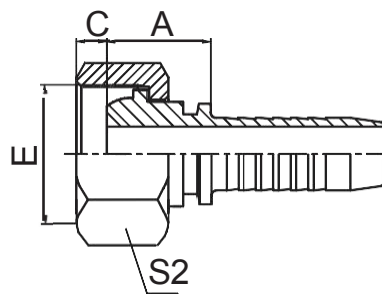
公制内螺纹高压水管接头  
METRIC FEMALE WATERWASH INSERT S

20011-22-04T	M22X1.5	6	04	O10.0X2.0	32.7	14	34.5
20011-22-06T	M22X1.5	10	06	O10.0X2.0	32.7	14	34.5

# 扣压式软管接HOSE FITTING



**20111**



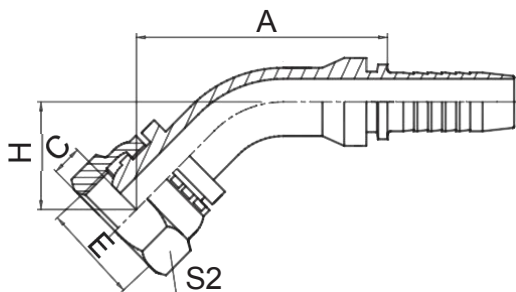
**20111-T**

公制内螺纹球面  
METRIC FEMALE MULTISEAL

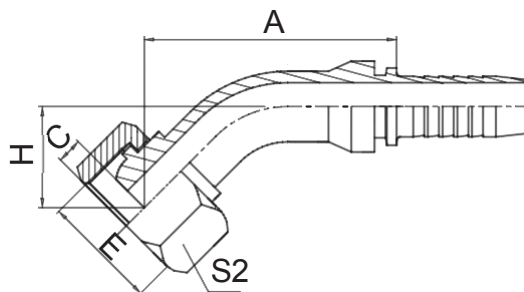
代号 PART NO.	螺纹 E THREAD E	胶管 HOSE BORE		尺寸 DIMENSIONS			
		公称内径DN	标号 DASH	A	C	S2	
20111-10-03	M10X1	5	03	18	2.5	14	
20111-10-04	M10X1	6	04	18	2.5	14	
20111-12-04	M12X1.5	6	04	18.5	4	17	
20111-12-05	M12X1.5	8	05	18.5	4	17	
20111-14-04	M14X1.5	6	04	19.5	4.5	19	
20111-14-05	M14X1.5	8	05	19.5	4.5	19	
20111-16-04	M16X1.5	6	04	19.5	4.5	22	
20111-16-05	M16X1.5	8	05	20	4.5	22	
20111-16-06	M16X1.5	10	06	20	4.5	22	
20111-18-05T	M18X1.5	8	05	21.5	4	24	
20111-18-06	M18X1.5	10	06	21.5	4	24	
20111-18-08	M18X1.5	12	08	22	4	24	
20111-20-06T	M20X1.5	10	06	20.5	5.5	24	
20111-20-08	M20X1.5	12	08	23	5.5	27	
20111-22-06T	M22X1.5	10	06	23	5	27	
20111-22-08	M22X1.5	12	08	23.5	5	27	
20111-22-10	M22X1.5	16	10	24.5	5	27	
20111-24-08T	M24X1.5	12	08	22	5.5	30	
20111-24-10	M24X1.5	16	10	26	5	30	
20111-27-08DT	M27X1.5	12	08	23	5.5	32	
20111-27-10DT	M27X1.5	16	10	26	5.5	32	
20111-27-12D	M27X1.5	20	12	26	5.5	32	
20111-27-10T	M27X2	16	10	26	7	32	
20111-30-12D	M30X1.5	20	12	26.5	6	36	
20111-30-12	M30X2	20	12	26.5	7	36	
20111-36-12T	M36X2	20	12	26	7	41	
20111-36-14T	M36X2	22	14	26	7	41	
20111-39-14T	M39X2	22	14	28.5	7	46	
20111-39-16T	M39X2	25	16	29.5	7	46	
20111-42-16T	M42X2	25	16	30	8.5	50	
20111-45-20T	M45X2	32	20	31.5	8.5	55	
20111-52-20T	M52X2	32	20	33	9	60	
20111-52-24T	M52X2	40	24	33	9	60	
20111-64-32T	M64X2	50	32	35	14	75	

注：1. 表中代号用于编织软管。 2. 如需用于缠绕软管代号改为 20112-xx-xx。  
 Note: 1.For use with braided hoses. 2.If use with spiral hoses, hose fitting series number is 20112-xx-xx.

# 扣压式软管接HOSE FITTING



**20141**



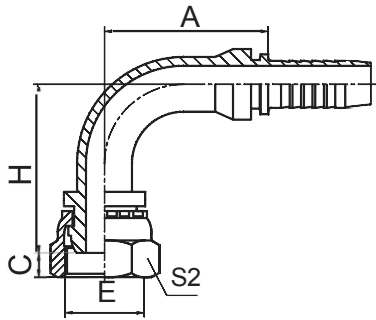
**20141-T**

45°公制内螺纹球面  
45°METRIC FEMALE MULTISEAL

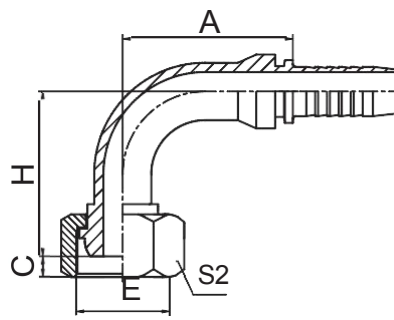
代号 PART NO.	螺纹 E THREAD E	胶管 HOSE BORE		尺寸 DIMENSIONS			
		公称内径 DN	标号 DASH	A	C	H	S2
20141-10-03	M10X1	5	03	41.1	2.5	20.7	14
20141-10-04	M10X1	6	04	43.2	2.5	21.5	14
20141-12-03	M12X1.5	5	03	40.9	4	21.2	17
20141-12-04	M12X1.5	6	04	43	4	22	17
20141-14-04	M14X1.5	6	04	43.4	4.5	21.3	19
20141-14-05	M14X1.5	8	05	45.5	4.5	22.2	19
20141-16-04	M16X1.5	6	04	43.7	4.5	21.4	22
20141-16-05	M16X1.5	8	05	45.8	4.5	22.5	22
20141-16-06	M16X1.5	10	06	47.4	4.5	24.1	22
20141-18-05T	M18X1.5	8	05	46.8	4	22.6	24
20141-18-06	M18X1.5	10	06	48.5	4	24.2	24
20141-18-08	M18X1.5	12	08	52.2	4	25.7	24
20141-20-06T	M20X1.5	10	06	48.2	5.5	23.9	27
20141-20-08	M20X1.5	12	08	62.1	5.5	27.2	27
20141-22-06T	M22X1.5	10	06	58.4	5	25.7	27
20141-22-08	M22X1.5	12	08	62.1	5	27.2	27
20141-24-08T	M24X1.5	12	08	61.1	5.5	26.1	30
20141-24-10	M24X1.5	16	10	75.4	5	29.6	30
20141-27-10DT	M27X1.5	16	10	74.4	5.5	29.6	32
20141-27-10T	M27X2	16	10	74.4	5.5	29.6	32
20141-30-12D	M30X1.5	20	12	80.9	6	33.5	36
20141-30-12	M30X2	20	12	80.9	6	33.5	36
20141-36-14T	M36X2	22	14	83	7	32.64	41
20141-39-16T	M39X2	25	16	88.2	7	33.95	46
20141-45-20T	M45X2	32	20	99.1	8.5	38.4	55
20141-52-24T	M52X2	40	24	114.1	9	43.4	60

注：1. 表中代号用于编织软管。 2. 如需用于缠绕软管代号改为 20142-xx-xx。  
Note: 1.For use with braided hoses. 2.If use with spiral hoses, hose fitting series number is 20142-xx-xx.

# 扣压式软管接头SWAGED HOSE FITTING



**20191**



**20191-T**

90°公制内螺纹球面  
90°METRIC FEMALE MULTISEAL

20191-10-03	M10X1	5	03	27	2.5	35.5	14
20191-14-04	M14X1.5	6	04	30	4.5	38	19
20191-16-04	M16X1.5	6	04	30	4.5	38.5	19
20191-16-06	M16X1.5	10	06	35.3	4.5	43.8	22
20191-18-06	M18X1.5	10	06	35.3	4	45.3	24
20191-20-06T	M20X1.5	10	06	35.3	5.5	43.8	24
20191-22-06T	M22X1.5	10	06	35.8	5	76.8	27
20191-24-08T	M24X1.5	12	08	41	5.5	51	30
20191-27-10DT	M27X1.5	16	10	56	5.5	55.5	32
20191-30-12D	M30X1.5	20	12	67.5	6	68.5	36
20191-36-12T	M36X2	20	12	65.5	7	68	41
20191-39-16T	M39X2	25	16	76.7	7	73.5	46
20191-52-24T	M52X2	40	24	109.4	9	100	60

注：上述代号用于编织软管。1.

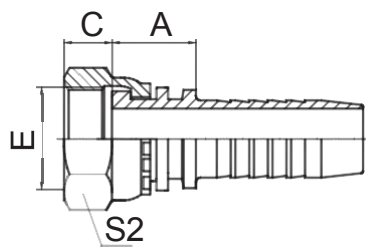
Note: 1.For use with braided hoses.

2. 如需用于缠绕软管代号改为 20192-xx-xx。

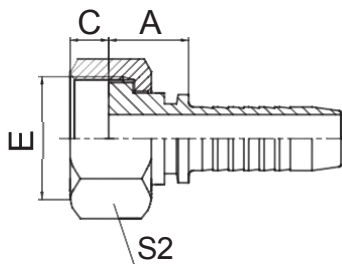
2.If use with spiral hoses, hose fitting series number is 20192-xx-xx.



# 扣压式软管接头HOSE FITTING



**20211**



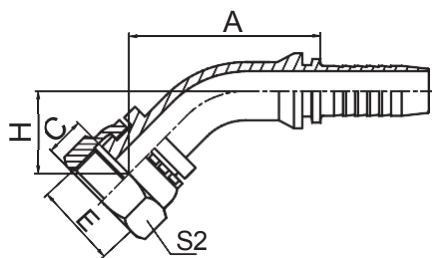
**20211-T**

国标公制内螺纹平面  
GB METRIC FEMALE FLAT SEAT  
参考 REF. GB/T 9065.3

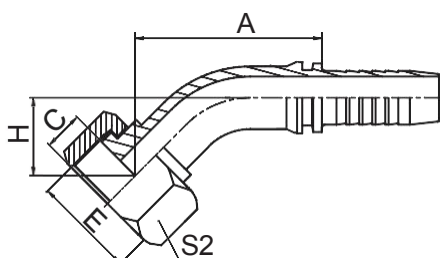
代号 PART NO.	螺纹 E THREAD E	胶管 HOSE BORE		尺寸 DIMENSIONS		
		公称内径 DN	标号 DASH	A	C	S2
20211-10-02	M10X1	4	02	14	6	14
20211-12-03	M12X1.25	5	03	14	8	17
20211-14-04	M14X1.5	6	04	15.5	8.5	19
20211-14-05	M14X1.5	8	05	15.5	8.5	19
20211-16-04	M16X1.5	6	04	16.5	8	22
20211-16-05	M16X1.5	8	05	16.5	8	22
20211-16-06	M16X1.5	10	06	16.5	8	22
20211-18-05T	M18X1.5	8	05	17.5	8	24
20211-18-06	M18X1.5	10	06	17.5	8	24
20211-20-06T	M20X1.5	10	06	16	10	24
20211-20-08	M20X1.5	12	08	18.5	10	27
20211-22-06T	M22X1.5	10	06	16	10	27
20211-22-08	M22X1.5	12	08	18.5	10	27
20211-22-10	M22X1.5	16	10	19.5	10	27
20211-24-08T	M24X1.5	12	08	16.5	11	30
20211-24-10	M24X1.5	16	10	20.5	10.5	30
20211-27-08T	M27X1.5	12	08	18.5	10	32
20211-27-10T	M27X1.5	16	10	19.5	10	32
20211-30-12	M30X1.5	20	12	21.5	11	36
20211-33-14	M33X2	22	14	21.5	13	41
20211-36-12T	M36X2	20	12	20	13	41
20211-36-14T	M36X2	22	14	20	13	41
20211-39-16T	M39X2	25	16	23.5	13	46
20211-42-20	M42X2	32	20	26	15	50
20211-45-20T	M45X2	32	20	25	15	55
20211-52-24T	M52X2	40	24	25	17	60
20211-60-28T	M60X2	45	28	26	20	70
20211-64-32T	M64X2	50	32	26	23	75

注：1. 表中代号用于编织软管。 2. 如需用于缠绕软管代号改为 20212-xx-xx。  
Note: 1. For use with braided hoses. 2. If use with spiral hoses, hose fitting series number is 20212-xx-xx.

# 扣压式软管接头HOSE FITTING



**20231**



**20231-T**

30° 公制内螺纹平面  
30° METRIC FEMALE FLAT SEAT  
参考 REF. GB/T 9065.3

代号 PART NO.	螺纹 E THREAD E	胶管 HOSE BORE		尺寸 DIMENSIONS			
		公称内径 DN	标号 DASH	A	C	H	S2
20231-22-08	M22X1.5	12	08	63.3	10	15	27
20231-27-10T	M27X1.5	16	10	73.7	10	15.1	32
20231-30-12	M30X1.5	20	12	84.4	11	18.6	36
20231-36-12T	M36X2	20	12	92.5	13	18.8	41
20231-39-16T	M39X2	25	16	90.2	13	17.8	46
20231-45-20T	M45X2	32	20	102.8	15	20	55
20231-52-24T	M52X2	40	24	116.2	17	21.8	60

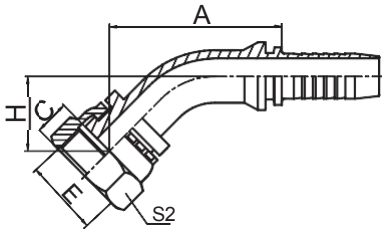
注：1. 表中代号用于编织软管。

2. 如需用于缠绕软管代号改为 20232-xx-xx。

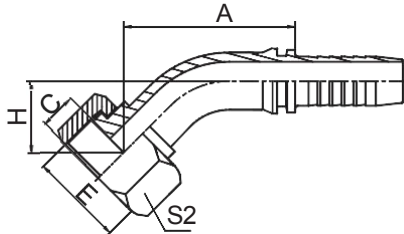
Note: 1. For use with braided hoses.

2. If use with spiral hoses, hose fitting series number is 20232-xx-xx.

# 扣压式软管接头SWAGED HOSE FITTING



**20241**



**20241-T**

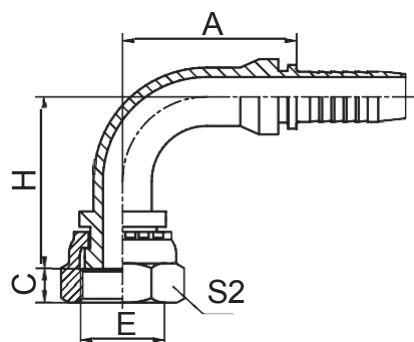
45° 公制内螺纹平面  
45° METRIC FEMALE FLAT SEAT

参考 REF. GB/T 9065.3

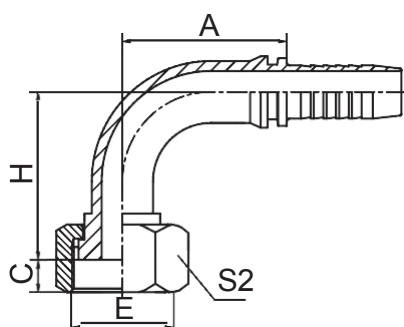
代号 PART NO.	螺纹 E THREAD E	胶管 HOSE BORE		尺寸 DIMENSIONS			
		公称内径 DN	标号 DASH	A	C	H	S2
20241-14-04	M14X1.5	6	04	40.5	8.5	18.5	19
20241-16-05	M16X1.5	8	05	44.4	8.5	20	22
20241-22-08	M22X1.5	12	08	58.9	10	24	27
20241-30-12	M30X1.5	20	12	78.1	11	30	36
20241-36-14T	M36X2	22	14	77.3	13	27	41
20241-39-16T	M39X2	25	16	83.9	13	29.7	46
20241-45-20T	M45X2	32	20	94.5	15	33.8	55
20241-52-24T	M52X2	40	24	108.5	17	37.7	60
20241-64-32T	M64X2	50	32	127.8	23	45.6	75

注：1. 表中代号用于编织软管。 2. 如需用于缠绕软管代号改为 20242-xx-xx。  
Note: 1. For use with braided hoses. 2. If use with spiral hoses, hose fitting series number is 20242-xx-xx.

# 扣压式软管接头HOSE FITTING



**20291**



**20291-T**

90° 公制内螺纹平面  
90° METRIC FEMALE FLAT SEAT  
参考REF. GB/T 9065.3

代号 PART NO.	螺纹 E THREAD E	胶管 HOSE BORE		尺寸 DIMENSIONS			
		公称内径 DN	标号 DASH	A	C	H	S2
20291-12-02	M12X1.25	4	02	26.5	8	30.5	17
20291-12-04	M12X1.25	6	04	30	8	33.5	17
20291-14-04	M14X1.5	6	04	30	8.5	34	19
20291-14-05	M14X1.5	8	05	33	8.5	37	19
20291-16-04	M16X1.5	6	04	30	8	35	22
20291-16-05	M16X1.5	8	05	34	8	38	22
20291-16-06	M16X1.5	10	06	35.3	8	40.3	22
20291-18-05T	M18X1.5	8	05	33	8	39	24
20291-18-06	M18X1.5	10	06	35.75	8	41.3	24
20291-22-08	M22X1.5	12	08	41	10	48	27
20291-22-10	M22X1.5	16	10	57.5	10	53	27
20291-24-08T	M24X1.5	12	08	41	11	45.5	30
20291-27-04T	M27X1.5	6	04	30	10	35.5	32
20291-27-08T	M27X1.5	12	08	41	10	46	32
20291-27-10T	M27X1.5	16	10	56	10	51	32
20291-30-12	M30X1.5	20	12	66.2	11	63.5	36
20291-33-14	M33X2	22	14	71.2	13	65	41
20291-36-14T	M36X2	22	14	71.2	13	61	41
20291-36-16	M36X2	25	16	76.7	13	70	41
20291-39-16T	M39X2	25	16	76.7	13	67.5	46
20291-42-20	M42X2	32	20	91.5	15	82.5	50
20291-45-20T	M45X2	32	20	91.5	15	78.5	55
20291-52-20T	M52X2	32	20	91.5	17	78.5	60
20291-52-24T	M52X2	40	24	109.4	17	92	60
20291-60-28T	M60X2	45	28	119.9	20	106.5	70
20291-64-32T	M64X2	50	32	130.95	23	113.3	75

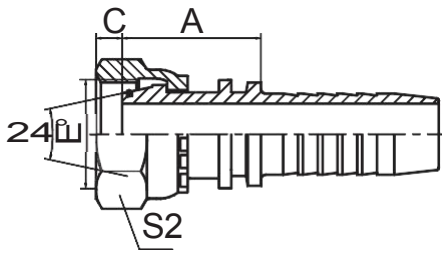
注：1. 表中代号用于编织软管。

2. 如需用于缠绕软管代号改为 20292-xx-xx。

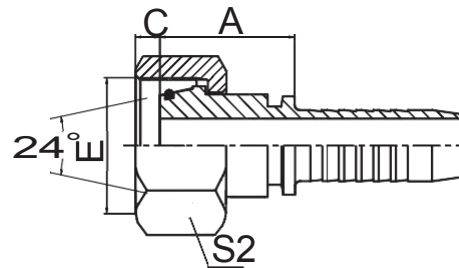
Note: 1. For use with braided hoses.

2. If use with spiral hoses, hose fitting series number is 20292-xx-xx.

# 扣压式软管接头SWAGED HOSE FITTING



**20411**



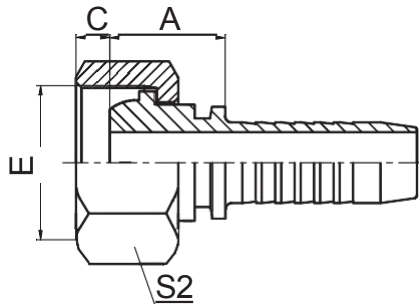
**20411-T**

公制内螺纹 24°锥带O形圈轻系列  
 METRIC FEMALE 24° CONE O-RING L.T.  
 ISO 12151-2--DIN 3865

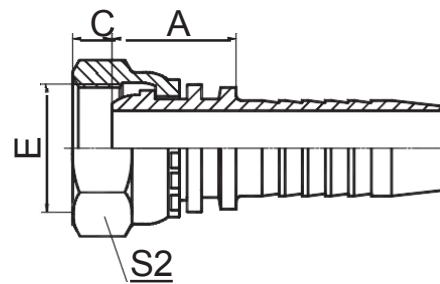
20411-12-04	M12X1.5	6	04	6	O04.5X1.5	26	1	17
20411-14-06	M14X1.5	10	06	8	O06.5X1.5	27.5	2	19
20411-16-05	M16X1.5	8	05	10	O08.0X1.5	28	2	22
20411-18-05T	M18X1.5	8	05	12	O10.0X1.5	24.5	1.5	22
20411-18-08	M18X1.5	12	08	12	O10.0X1.5	29.5	2.5	24
20411-22-06T	M22X1.5	10	06	15	O12.0X2.0	26.5	3	27
20411-26-10	M26X1.5	16	10	18	O15.0X2.0	34.5	2.5	32
20411-27-10T	M27X1.5	16	10	18	O15.0X2.0	35	2.1	32
20411-30-10T	M30X2	16	10	22	O20.0X2.0	31	3.8	36
20411-36-12T	M36X2	20	12	28	O26.0X2.0	33	4.5	46
20411-45-16T	M45X2	25	16	35	O32.0X2.5	37	4	55
20411-52-20T	M52X2	32	20	42	O38.0X2.5	38.5	4	60

注：1. 表中代号用于编织软管。 2. 如需用于缠绕软管代号改为 20412-xx-xx。  
 Note: 1. For use with braided hoses. 2. If use with spiral hoses, hose fitting series number is 20412-xx-xx.

# 扣压式软管接头SWAGED HOSE FITTING



**20411C**



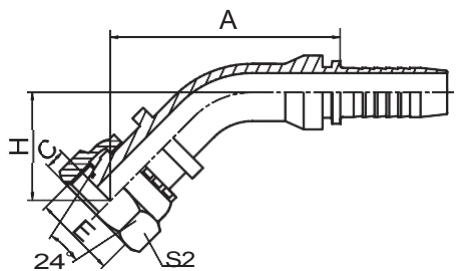
**20411C-T**

公制内螺纹 24° 球面 轻系列  
METRIC FEMALE MULTISEAL L.T.

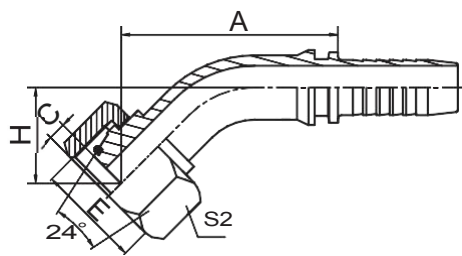
20411C-12-04	M12X1.5	6	04	6	19.5	3.5	17
20411C-16-04	M16X1.5	6	04	10	21	3.5	22
20411C-16-06	M16X1.5	10	06	10	21	3.5	22
20411C-22-06T	M22X1.5	10	06	15	23.5	4.5	27
20411C-26-10	M26X1.5	16	10	18	27	4	32
20411C-30-12	M30X2	20	12	22	27	7	36
20411C-36-16	M36X2	25	16	28	29	6.5	41
20411C-52-24T	M52X2	40	24	42	34	8	60

注: 1. 表中代号用于编织软管。 2. 如需用于缠绕软管代号改为 20412C-xx-xx。  
Note: 1.For use with braided hoses. 2.If use with spiral hoses, hose fitting series number is 20412C-xx-xx.

# 扣压式软管接头 SWAGED HOSE FITTING



**20441**



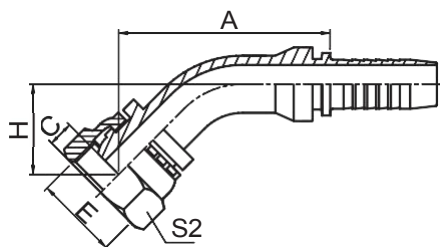
**20441-T**

45°公制内螺纹 24°锥带O 形圈轻系列  
 45°METRIC FEMALE 24°CONE O-RING L.T.  
 ISO 12151-2--DIN 3865

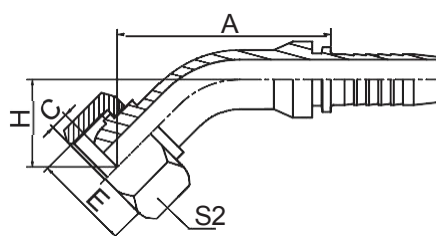
20441-14-04	M14X1.5	6	04	8	O06.5X1.5	49	2	27	19
20441-16-06	M16X1.5	10	06	10	O08.0X1.5	53.4	2	29.2	22
20441-18-06	M18X1.5	10	06	12	O10.0X1.5	54.2	2.5	29.9	24
20441-22-06T	M22X1.5	10	06	15	O12.0X2.0	48.5	3	24.2	27
20441-26-08T	M26X1.5	12	08	18	O15.0X2.0	60.6	2.1	25.7	32
20441-26-12	M26X1.5	20	12	18	O15.0X2.0	86.9	2.5	39.5	32
20441-27-12	M27X1.5	20	12	18	O15.0X2.0	86.9	2.5	39.5	32
20441-30-12	M30X2	20	12	22	O20.0X2.0	89.1	4	41.7	36
20441-36-14T	M36X2	22	14	28	O26.0X2.0	81.9	4.5	31.6	46
20441-52-20T	M52X2	32	20	42	O38.0X2.5	102	4	39.8	60

注：1. 表中代号用于编织软管。 2. 如需用于缠绕软管代号改为 20442-xx-xx。  
 Note: 1.For use with braided hoses. 2.If use with spiral hoses, hose fitting series number is 20442-xx-xx.

# 扣压式软管接头HOSE FITTING



**20441C**



**20441C-T**

45° 公制内螺纹 24° 球面轻系列 DIN 3868  
45° METRIC FEMALE MULTISEAL L.T.DIN 3868

代号 PART NO.	螺纹 E THREAD E	胶管 HOSE BORE		管子外径 TUBE O.D.	尺寸 DIMENSIONS			
		公称内径DN	标号 DASH		A	C	H	S2
20441C-14-04	M14X1.5	6	04	8	44	3.5	22	19
20441C-16-04	M16X1.5	6	04	10	44.8	3.5	22.7	22
20441C-16-05	M16X1.5	8	05	10	46.6	3.5	23.2	22
20441C-16-06	M16X1.5	10	06	10	48.2	3.5	23.9	22
20441C-18-06	M18X1.5	10	06	12	50	3	25.7	24
20441C-22-06T	M22X1.5	10	06	15	50.8	4.5	26	27
20441C-22-08	M22X1.5	12	08	15	62.8	4.5	27.9	27
20441C-26-10	M26X1.5	16	10	18	75.1	4	30.6	32
20441C-30-10T	M30X2	16	10	22	74.7	7	29.9	36
20441C-30-12	M30X2	20	12	22	82	7	33.5	36
20441C-30-14	M30X2	22	14	22	83.8	7	33.3	36
20441C-36-12T	M36X2	20	12	28	80.2	6.5	32.8	41
20441C-36-16	M36X2	25	16	28	89.6	6.5	35.7	41
20441C-36-18	M36X2	28	18	28	96.5	6.5	39.4	41
20441C-45-20T	M45X2	32	20	35	102.3	7	41.5	55
20441C-52-24T	M52X2	40	24	42	116.9	8	46.2	60

注：1. 表中代号用于编织软管。

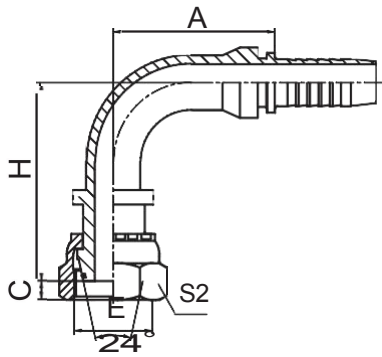
2. 如需用于缠绕软管代号改为 20442C-xx-xx。

Note: 1. For use with braided hoses.

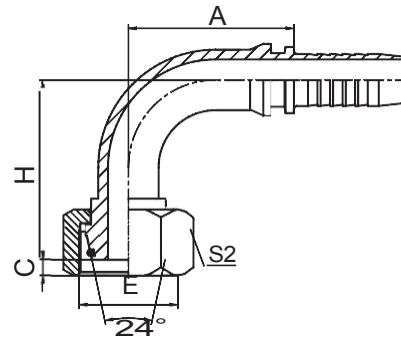
2. If use with spiral hoses, hose fitting series number is 20442C-xx-xx.



# 扣压式软管接头SWAGED HOSE FITTING



**20491**



**20491-T**

90°公制内螺纹 24°锥带O 形圈轻系列  
 90°METRIC FEMALE 24°CONE O-RING L.T.  
 ISO 12151-2--DIN 3865

20491-12-03	M12X1.5	5	03	6	O04.5X1.5	26.5	1	35	17
20491-14-04	M14X1.5	6	04	8	O06.5X1.5	30	2	38	19
20491-16-05	M16X1.5	8	05	10	O08.0X1.5	33	2	42	22
20491-18-05T	M18X1.5	8	05	12	O10.0X1.5	33	1.5	42.5	22
20491-22-06T	M22X1.5	10	06	15	O12.0X2.0	35.3	3	44.8	27
20491-26-08T	M26X1.5	12	08	18	O15.0X2.0	41	2.1	51	32
20491-26-12	M26X1.5	20	12	18	O15.0X2.0	64.9	2.5	77	32
20491-27-12	M27X1.5	20	12	18	O15.0X2.0	64.9	2.5	77	32
20491-30-12	M30X2	20	12	22	O20.0X2.0	65.5	4	63	36
20491-36-14T	M36X2	22	14	28	O26.0X2.0	71.2	4.5	67.5	46
20491-45-20T	M45X2	32	20	35	O32.0X2.5	91.5	4	86	55
20491-52-24T	M52X2	40	24	42	O38.0X2.5	109.4	4	100.5	60

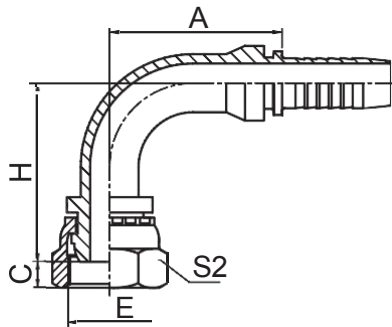
注：1. 表中代号用于编织软管。

2. 如需用于缠绕软管代号改为 20492-xx-xx。

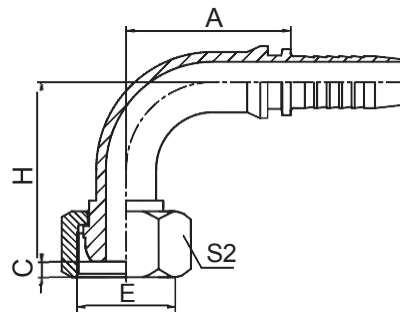
Note: 1.For use with braided hoses.

2.If use with spiral hoses, hose fitting series number is 20492-xx-xx.

# 扣压式软管接头HOSE FITTING



**20491C**



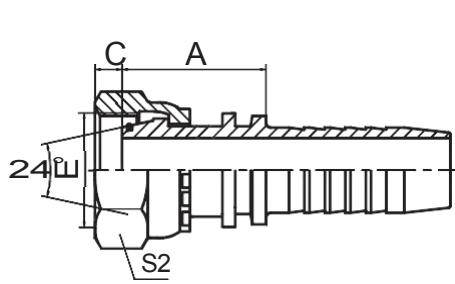
**20491C-T**

90°公制内螺纹 24°球面轻系列 DIN 3868  
 90°METRIC FEMALE 24°MULTISEAL L.T.DIN 3868

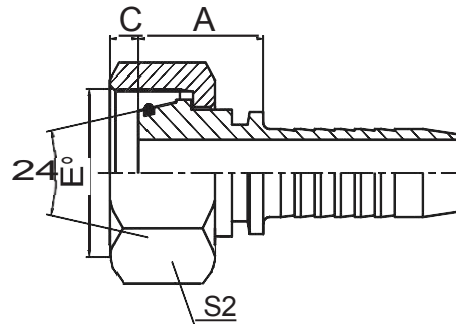
代号 PART NO.	螺纹 E THREAD E	胶管 HOSE BORE		管子外径 TUBE O.D.	尺寸 DIMENSIONS			
		公称内径 DN	标号 DASH		A	C	H	S2
20491C-14-04	M14X1.5	6	04	8	30	3.5	39.5	19
20491C-16-04	M16X1.5	6	04	10	30	3.5	40	22
20491C-16-05	M16X1.5	8	05	10	33	3.5	43	22
20491C-16-06	M16X1.5	10	06	10	35.25	3.5	45.2	22
20491C-18-06	M18X1.5	10	06	12	35.25	3	47.25	24
20491C-22-08	M22X1.5	12	08	15	41	4.5	53	27
20491C-26-10	M26X1.5	16	10	18	56.5	4	60	32
20491C-30-12	M30X2	20	12	22	65.5	7	68.5	36
20491C-36-12T	M36X2	20	12	28	65.5	6.5	67.5	41

注：1. 表中代号用于编织软管。 2. 如需用于缠绕软管代号改为 20492C-xx-xx。  
 Note: 1.For use with braided hoses. 2.If use with spiral hoses, hose fitting series number is 20492C-xx-xx.

# 扣压式软管接头SWAGED HOSE FITTING



**20511**



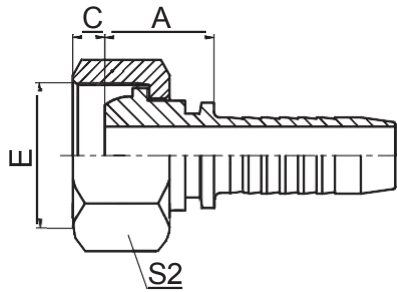
**20511-T**

90°公制内螺纹 24°锥带O 形圈重系列  
 90°METRIC FEMALE 24°CONE O-RING  
 H.T.ISO 12151-2--DIN 3865

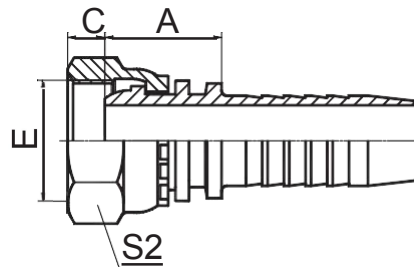
20511-14-04	M16X1.5	6	04	6	O04.5X1.5	29	1.5	19
20511-16-05	M16X1.5	8	05	8	O06.5X1.5	29	1.5	22
20511-18-06	M18X1.5	10	06	10	O08.0X1.5	29	2	24
20511-20-08	M20X1.5	12	08	12	O10.0X1.5	31.5	2.5	27
20511-22-08	M22X1.5	12	08	14	O11.0X2.0	31.5	2.5	27
20511-24-08T	M24X1.5	12	08	16	O13.0X2.0	27.5	3	30
20511-30-12	M30X2	20	12	20	O16.3X2.4	39	3	36
20511-36-14T	M36X2	22	14	25	O20.3X2.4	34	3.2	46
20511-42-16T	M42X2	25	16	30	O25.3X2.4	38.5	3.9	50
20511-52-24T	M52X2	40	24	38	O33.3X2.4	41.5	4.5	60

注：1. 表中代号用于编织软管。 2. 如需用于缠绕软管代号改为 20512-xx-xx。  
 Note: 1.For use with braided hoses. 2.If use with spiral hoses, hose fitting series number is 20512-xx-xx.

# 扣压式软管接头HOSE FITTING



**20511C**



**20511C-T**

公制内螺纹 24° 球面重系列  
METRIC FEMALE 24° MULTISEAL H.T.DIN3868

代号 PART NO.	螺纹 E THREAD E	胶 管 HOSE BORE		管子外径 TUBE O.D.	尺 寸 DIMENSIONS		
		公称内径DN	标号 DASH		A	C	S2
20511C-18-04T	M18X1.5	6	04	10	21	3	22
20511C-20-05T	M20X1.5	8	05	12	21.5	4.5	24
20511C-20-06T	M20X1.5	10	06	12	21.5	4.5	24
20511C-22-06T	M22X1.5	10	06	14	21.5	4.5	27
20511C-24-08T	M24X1.5	12	08	16	23	5	30
20511C-30-10T	M30X2	16	10	20	26.5	7	36
20511C-36-12T	M36X2	20	12	25	27	6.5	41
20511C-42-16T	M42X2	25	16	30	29.5	9	50
20511C-52-20T	M52X2	32	20	38	34	8	60

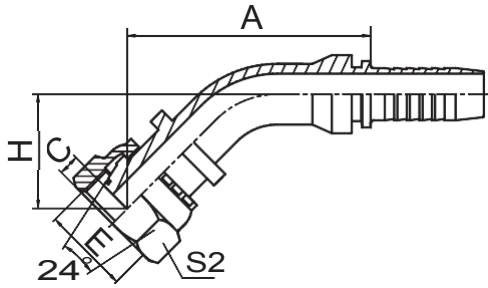
注：1. 表中代号用于编织软管。

2. 如需用于缠绕软管代号改为 20512C-xx-xx。

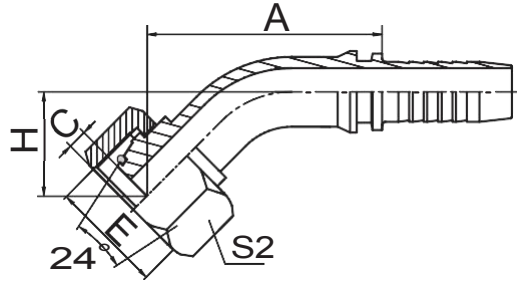
Note: 1. For use with braided hoses.

2. If use with spiral hoses, hose fitting series number is 20512C-xx-xx.

# 扣压式软管接头SWAGED HOSE FITTING



**20541**



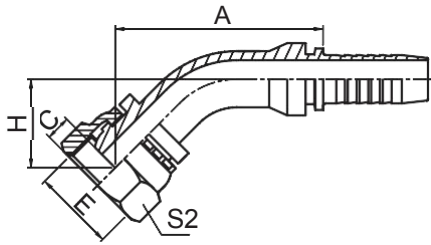
**20541-T**

45°公制内螺纹 24°锥带O 形圈重系列  
 45°METRIC FEMALE 24°CONE O-RING H.T.  
 ISO 12151-2--DIN 3865

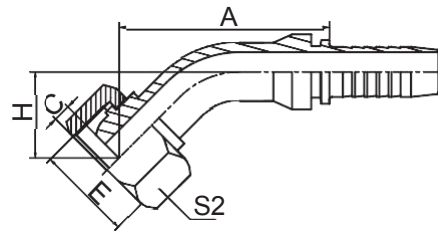
20541-14-04	M16X1.5	6	04	6	O04.5X1.5	43.4	1.5	21.3	19
20541-16-05	M16X1.5	8	05	8	O06.5X1.5	46.6	1.5	23.2	22
20541-18-06	M18X1.5	10	06	10	O08.0X1.5	48.1	2	23.9	24
20541-20-08	M20X1.5	12	08	12	O10.0X1.5	68.1	2.5	33.2	27
20541-22-08	M22X1.5	12	08	14	O11.0X2.0	68.1	2.5	33.2	27
20541-30-10T	M30X2	16	10	20	O16.3X2.4	73.5	2.5	29.2	36
20541-36-12T	M36X2	20	12	25	O20.3X2.4	81.1	3.2	33	46
20541-42-16T	M42X2	25	16	30	O25.3X2.4	90.6	3.9	35.1	50
20541-52-24T	M52X2	40	24	38	O33.3X2.4	114.1	4.5	43.4	60

注：1. 表中代号用于编织软管。 2. 如需用于缠绕软管代号改为 20542-xx-xx。  
 Note: 1. For use with braided hoses. 2. If use with spiral hoses, hose fitting series number is 20542-xx-xx.

# 扣压式软管接头HOSE FITTING



**20541C**



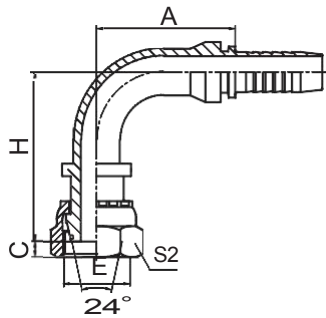
**20541C-T**

45°公制内螺纹 24°球面系列 DIN 3868  
45°METRIC FEMALE MULTISEAL H.T.DIN 3868

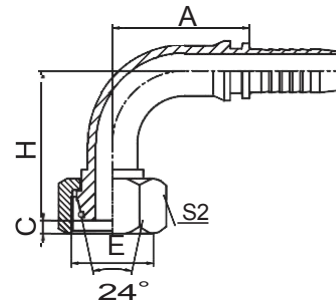
代号 PART NO.	螺纹 E THREAD E	胶管 HOSE BORE		管子外径 TUBE O.D.	尺寸 DIMENSIONS			
		公称内径DN	标号 DASH		A	C	H	S2
20541C-16-04	M16X1.5	6	04	8	44.8	3	22.7	19
20541C-18-04T	M18X1.5	6	04	10	43.7	3	21.6	22
20541C-20-06T	M20X1.5	10	06	12	48.9	4.5	24.6	24
20541C-24-08T	M24X1.5	12	08	16	61.4	2.5	26.5	30

注：1. 表中代号用于编织软管。 2. 如需用于缠绕软管代号改为 20542C-xx-xx。  
Note: 1. For use with braided hoses. 2. If use with spiral hoses, hose fitting series number is 20542C-xx-xx.

# 扣压式软管接头SWAGED HOSE FITTING



**20591**



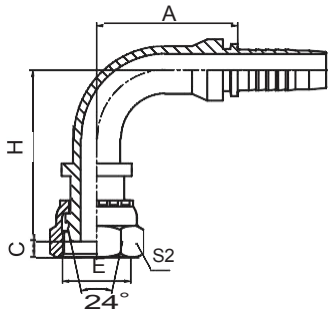
**20591-T**

90°公制内螺纹24°锥带O形圈重系列  
 90°METRIC FEMALE 24°CONE O-RING H.T.  
 ISO 12151-2--DIN 3865

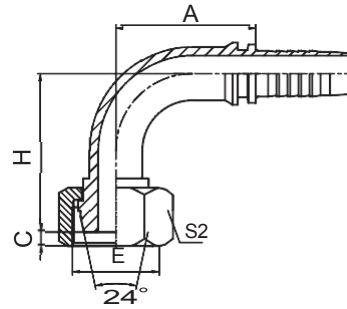
20591-14-04	M16X1.5	6	04	6	O04.5X1.5	30	1.5	39.5	19
20591-16-05	M16X1.5	8	05	8	O06.5X1.5	33	1.5	42.5	22
20591-18-06	M18X1.5	10	06	10	O08.0X1.5	35.3	2	45.8	24
20591-20-08	M20X1.5	12	08	12	O10.0X1.5	41	2.5	61	27
20591-22-08	M22X1.5	12	08	14	O11.0X2.0	41	2.5	53	27
20591-24-10	M24X1.5	16	10	16	O13.0X2.0	56.5	2.5	56.5	30
20591-30-12	M30X2	20	12	20	O16.3X2.4	64.9	3	64	36
20591-36-14T	M36X2	22	14	25	O20.3X2.4	71.2	3.2	68.8	46
20591-52-20T	M52X2	32	20	38	O33.3X2.4	93	4.5	86.5	60

注：1. 表中代号用于编织软管。 2. 如需用于缠绕软管代号改为 20592-xx-xx。  
 Note: 1. For use with braided hoses. 2. If use with spiral hoses, hose fitting series number is 20592-xx-xx.

# 扣压式软管接头HOSE FITTING



**20591C**



**20591C-T**

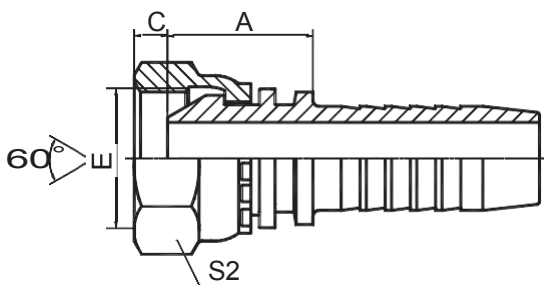
90°公制内螺纹 24°球面重系列DIN3868  
 90°METRIC FEMALE MULTISEAL H.T.DIN3868

代号 PART NO.	螺纹 E THREAD E	软管 HOSE BORE		管子外径 TUBE O.D.	尺寸 DIMENSIONS			
		公称内径 DN	标号 DASH		A	C	H	S2
20591C-16-04	M16X1.5	6	04	8	30	3	40	22
20591C-18-04T	M18X1.5	6	04	10	30	3	38.5	22
20591C-20-05T	M20X1.5	8	05	12	33	4.5	42	24
20591C-20-06T	M20X1.5	10	06	12	35.3	4.5	45.7	24
20591C-22-06T	M22X1.5	10	06	14	35.3	4.5	44.7	27
20591C-24-08T	M24X1.5	12	08	16	41	5	52	30
20591C-30-10T	M30X2	16	10	20	56.5	7	56.5	36
20591C-36-12T	M36X2	20	12	25	65.5	6.5	66.5	41
20591C-42-16T	M42X2	25	16	30	78	9	73.5	50
20591C-52-20T	M52X2	32	20	38	93	8	87.5	60

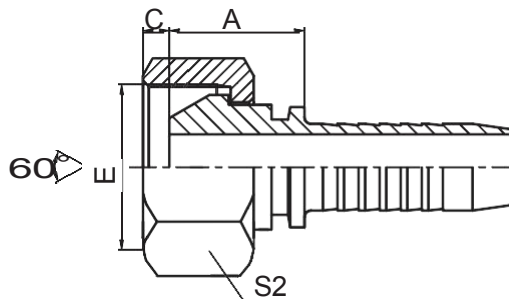
注：1. 表中代号用于编织软管。 2. 如需用于缠绕软管代号改为 20592C-xx-xx。  
 Note: 1.For use with braided hoses. 2.If use with spiral hoses, hose fitting series number is 20592C-xx-xx.



# 扣压式软管接头HOSE FITTING



**20611**



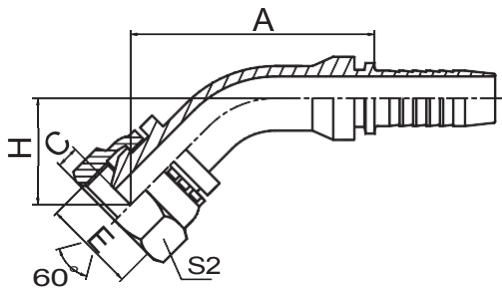
**20611-T**

公制内螺纹 60°外锥面  
METRIC FEMALE 60°CONE

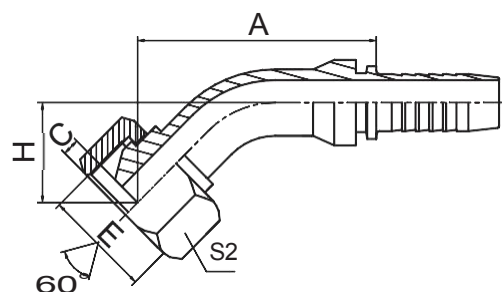
代号 PART NO.	螺纹 E THREAD E	胶 管 HOSE BORE		尺寸 DIMENSIONS		
		公称内径 DN	标号 DASH	A	C	S2
20611-14-04	M14X1.5	6	04	18	5.5	19
20611-16-05	M16X1.5	8	05	19	5.5	22
20611-16-06	M16X1.5	10	06	19	5.5	22
20611-18-06	M18X1.5	10	06	20	5.5	24
20611-20-08	M20X1.5	12	08	22	6.5	27
20611-22-08	M22X1.5	12	08	22.5	6	27
20611-24-10	M24X1.5	16	10	24.5	6.5	30
20611-26-10	M26X1.5	16	10	25.5	6	32
20611-27-10DT	M27X1.5	16	10	25.5	6	32
20611-27-10T	M27X2	16	10	25.5	6	32
20611-30-10D	M30X1.5	16	10	26.5	6	36
20611-30-12D	M30X1.5	20	12	26.5	6	36
20611-30-12	M30X2	20	12	26.5	6	36
20611-36-16	M36X2	25	16	30	6.5	41
20611-39-16T	M39X2	25	16	30	6.5	46
20611-45-20T	M45X2	32	20	31	8.5	55
20611-52-24T	M52X2	40	24	32	10	60

注：1. 表中代号用于编织软管。 2. 如需用于缠绕软管代号改为 20612-xx-xx。  
Note: 1.For use with braided hoses. 2.If use with spiral hoses, hose fitting series number is 20612-xx-xx.

# 扣压式软管接头HOSE FITTING



**20641**



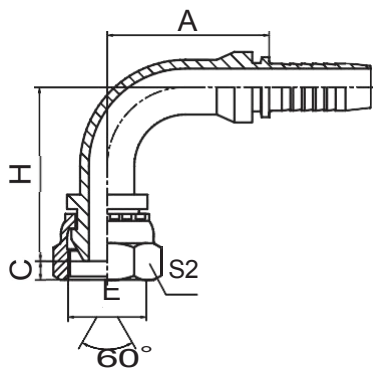
**20641-T**

45°METRIC FEMALE 60°CONE  
45°公制内螺纹 60°外锥面

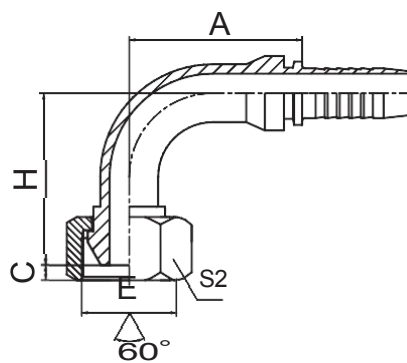
代号 PART NO.	螺 纹 E THREAD E	胶 管 HOSE BORE		尺 寸 DIMENSIONS			
		公称内径 DN	标号 DASH	A	C	H	S2
20641-14-04	M14X1.5	6	04	42.7	5.5	20.6	19
20641-16-05	M16X1.5	8	05	45.1	5.5	21.8	22
20641-18-06	M18X1.5	10	06	47.4	5.5	23.2	24
20641-22-08	M22X1.5	12	08	61.8	6	26.8	27
20641-27-10DT	M27X1.5	16	10	71.4	6	27.1	32
20641-30-12D	M30X1.5	20	12	81.6	6	33.5	36
20641-36-14T	M36X2	22	14	81.9	6.5	31.6	41
20641-39-16T	M39X2	25	16	88.5	6.5	34.3	46
20641-45-20T	M45X2	32	20	99.1	8.5	38.4	55
20641-52-24T	M52X2	40	24	113.4	10	42.7	60

注：1. 表中代号用于编织软管。 2. 如需用于缠绕软管代号改为 20642-xx-xx。  
Note: 1.For use with braided hoses. 2.If use with spiral hoses, hose fitting series number is 20642-xx-xx.

# 扣压式软管接头SWAGED HOSE FITTING



**20691**

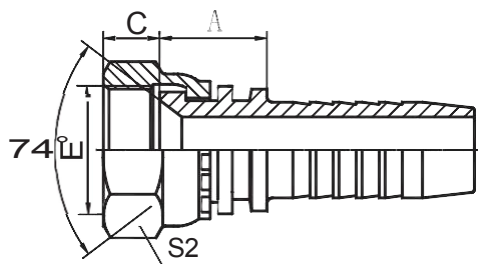


**20691-T**

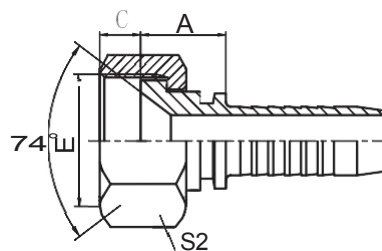
90°公制内螺纹 60°外锥面  
90°METRIC FEMALE 60°CONE

20691-14-04	M14X1.5	6	04		30	5.5	37	19
20691-18-06	M18X1.5	10	06		35.3	5.5	43.8	24
20691-27-10DT	M27X1.5	16	10		56	6	55	32
20691-36-16	M36X2	25	16		78	6.5	76.5	41
20691-39-16T	M39X2	25	16		76.7	6.5	74	46
20691-52-24T	M52X2	40	24		109.4	10	99	60
注：1. 表中代号用于编织软管。 2. 如需用于缠绕软管代号改为 20692-xx-xx。 Note: 1.For use with braided hoses. 2.If use with spiral hoses, hose fitting series number is 20692-xx-xx.								

# 扣压式软管接头SWAGED HOSE FITTING



**20711**



**20711-T**

国标公制内螺纹 74°  
GB METRIC FEMALE 74° CONE SEAT

20711-10-02	M10X1	4	02	14	7.5	14
20711-12-03	M12X1.5	5	03	14	10	17
20711-14-04	M14X1.5	6	04	15.5	8.5	19
20711-14-06	M14X1.5	10	06	15.5	8.5	19
20711-16-05	M16X1.5	8	05	16.5	8	22
20711-18-05T	M18X1.5	8	05	16	8	22
20711-20-06T	M20X1.5	10	06	16	10	24
20711-22-06T	M22X1.5	10	06	16	10	27
20711-22-10	M22X1.5	16	10	19	10	27
20711-27-08T	M27X1.5	12	08	18.5	11	32
20711-27-12	M27X1.5	20	12	21.5	11	32
20711-30-12	M30X1.5	20	12	21.5	11	36
20711-33-12T	M33X2	20	12	20	13	41
20711-36-12T	M36X2	20	12	20	14	41
20711-36-16	M36X2	25	16	23	14	41
20711-42-16T	M42X2	25	16	23.5	15	50
20711-45-20T	M45X2	32	20	25	15	55

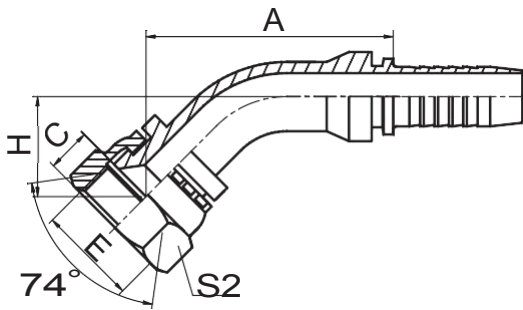
注: 1. 表中代号用于编织软管。

2. 如需用于缠绕软管代号改为 20712-xx-xx。

Note: 1. For use with braided hoses.

2. If use with spiral hoses, hose fitting series number is 20712-xx-xx.

# 扣压式软管接头SWAGED HOSE FITTING



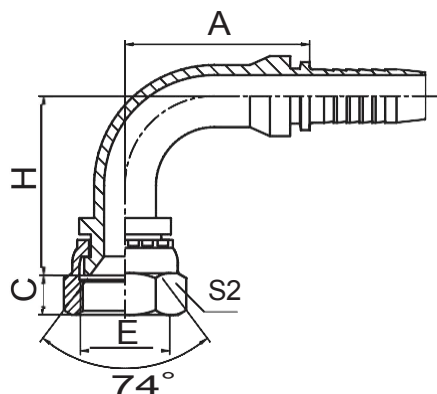
## 20741

45° 国标公制内螺纹 74° 内锥面  
 45° GB METRIC FEMALE 74° CONE SEAT  
 参考 REF. GB/T 9065.1

20741-14-04	M14X1.5	6	04	40.5	8.5	18.5	19
20741-18-06	M18X1.5	10	06	45.7	10	21.4	24
20741-27-10	M27X1.5	16	10	70.7	11	26.4	32
20741-33-12	M33X2	20	12	77.4	13	30	41
20741-36-14	M36X2	22	14	79.8	14	29.6	41
20741-39-16	M39X2	25	16	86.1	14	31.8	46
20741-52-24W	M52X2	40	24	115.3	17	40.9	60

注：1. 表中代号用于编织软管。 2. 如需用于缠绕软管代号改为 20742-xx-xx。  
 Note: 1. For use with braided hoses. 2. If use with spiral hoses, hose fitting series number is 20742-xx-xx.

# 扣压式软管接头SWAGED HOSE FITTING



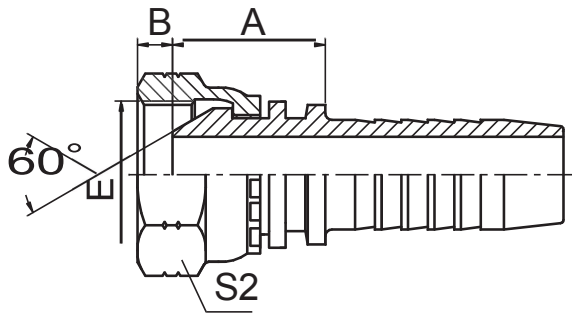
**20791**

90° 国标公制内螺纹 74° 内锥面  
 90°GB METRIC FEMALE 74° CONE SEAT  
 参考 REF. GB/T 9065.1

20791-12-04C	M12X1.25	6	04	30	9	33.5	17
20791-14-04	M14X1.5	6	04	30	8.5	34	19
20791-16-05	M16X1.5	8	05	34	8	38	22
20791-22-08	M22X1.5	12	08	41	10	48	27
20791-27-10	M27X1.5	16	10	56	11	54	32
20791-33-12	M33X2	20	12	65.5	13	63.5	41
20791-36-12	M36X2	20	12	65.5	14	63.5	41
20791-39-16	M39X2	25	16	76.7	14	70.5	46
20791-52-20W	M52X2	32	20	93	17	84.5	60

注：1. 表中代号用于编织软管。 2. 如需用于缠绕软管代号改为 20792-xx-xx。  
 Note: 1.For use with braided hoses. 2.If use with spiral hoses, hose fitting series number is 20792-xx-xx.

# 扣压式软管接头SWAGED HOSE FITTING



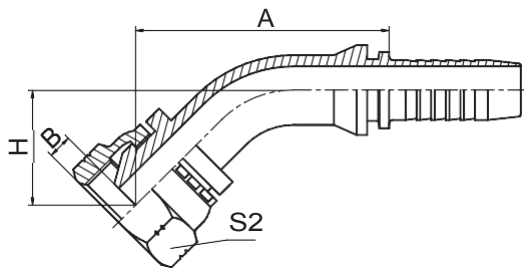
## 21611

美制NPSM 内螺纹 60°外锥面  
 NPSM FEMALE 60°CON E  
 SAE J514

21611-04-04	1/4"X18	6	04	18	4.6	19	
21611-06-04	3/8"X18	6	04	19	6	22	
21611-06-06	3/8"X18	10	06	19	6	22	
21611-12-10	3/4"X14	16	10	24	8.9	32	
21611-16-12T	1"X11.5	20	12	25	10.5	41	
21611-20-20W	1.1/4"X11.5	32	20	29.5	11.2	50	

注: 1. 表中代号用于编织软管。 2. 如需用于缠绕软管代号改为 21612-xx-xx。  
 Note: 1. For use with braided hoses. 2. If use with spiral hoses, hose fitting series number is 21612-xx-xx.

# 扣压式软管接头HOSE FITTING



## 21641

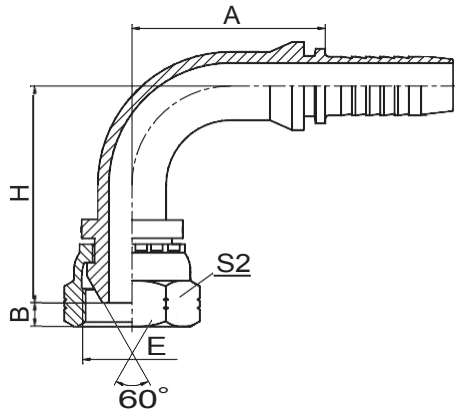
45°美制NPSM 内螺纹 60°外锥面  
45°NPSM FEMALE 60°CONE

代号 PART NO.	螺纹 E THREAD E	胶管 HOSE BORE		尺寸 DIMENSIONS			
		公称内径 DN	标号 DASH	A	B	H	S2
21641-04-04	1/4"X18	6	04	45.1	4.6	23	19
21641-06-06	3/8"X18	10	06	47.2	6	24.9	22
21641-08-08	1/2"X14	12	08	62.7	7.5	27.7	27
21641-12-12	3/4"X14	20	12	81.4	8.9	34	32
21641-16-16	1"X11.5	25	16	89.2	10.5	35	41
21641-20-20W	1.1/4"X11.5	32	20	99.8	11.2	39.3	50
21641-24-24W	1.1/2"X11.5	40	24	115.1	11.2	44.4	55
21641-32-32W	2"X11.5	50	32	136.4	11.2	63.4	70

注：1. 表中代号用于编织软管。 2. 如需用于缠绕软管代号改为 21642-xx-xx。  
Note: 1. For use with braided hoses. 2. If use with spiral hoses, hose fitting series number is 21642-xx-xx.



# 扣压式软管接头SWAGED HOSE FITTING



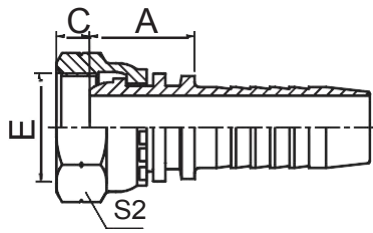
## 21691

90°美制NPSM 内螺纹 60°外锥面  
 90°NPSM FEMALE 60°CONE  
 SAE J514

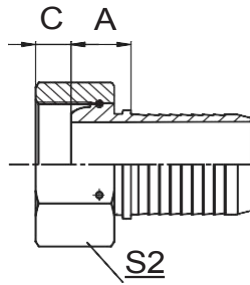
21691-04-04	1/4"X18	6	04	30	4.6	36.5	19
21691-06-05	3/8"X18	8	05	34	6	40.7	22
21691-08-08	1/2"X14	12	08	41	7.5	51	27
21691-12-12	3/4"X14	20	12	65.5	8.9	69.1	32
21691-16-16	1"X11.5	25	16	76.7	10.5	73.8	41
21691-24-20T	1.1/2"X11.5	32	20	91.5	11.2	83.5	55
21691-32-32W	2"X11.5	50	32	131.8	11.2	124.5	70

注：1. 表中代号用于编织软管。 2. 如需用于缠绕软管代号改为 21692-xx-xx。  
 Note: 1.For use with braided hoses. 2.If use with spiral hoses, hose fitting series number is 21692-xx-xx.

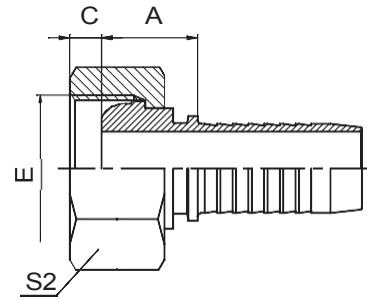
# 扣压式软管接头SWAGED HOSE FITTING



**22111**



**22111W**



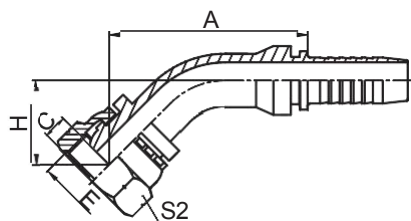
**22111-T**

英管内螺纹球面  
BSP FEMALE MULTISEAL

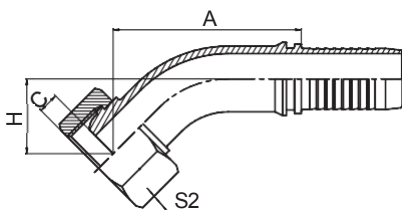
22111-02-04	G1/8"X28	6	04	19	2	14
22111-04-04	G1/4"X19	6	04	19.5	4	19
22111-06-06	G3/8"X19	10	06	20.5	5	22
22111-08-06T	G1/2"X14	10	06	22.5	6	27
22111-08-10	G1/2"X14	16	10	24	6	27
22111-10-12	G5/8"X14	20	12	25	8	30
22111-12-10	G3/4"X14	16	10	26	9.5	32
22111-16-12T	G1"X11	20	12	26.5	11	41
22111-16-16	G1"X11	25	16	28	11	41
22111-20-20W	G1.1/4"X11	32	20	31.5	10	50
22111-32-32W	G2"X11	50	32	34	15	70

注: 1. 表中代号用于编织软管。 2. 如需用于缠绕软管代号改为 22112-xx-xx。  
Note: 1.For use with braided hoses. 2.If use with spiral hoses, hose fitting series number is 22112-xx-xx.

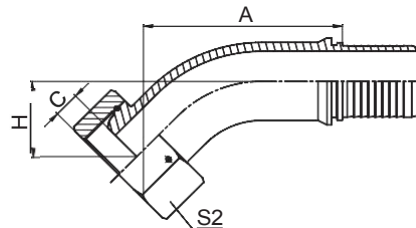
# 扣压式软管接头HOSE FITTING



**22141**



**22141-T**



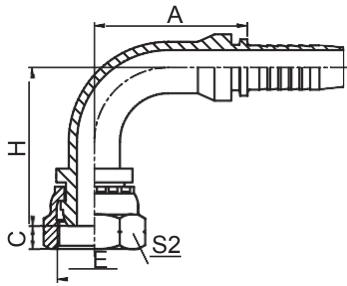
**22141-W**

45°英管内螺纹球面  
45°BSP FEMALE MULTISEAL

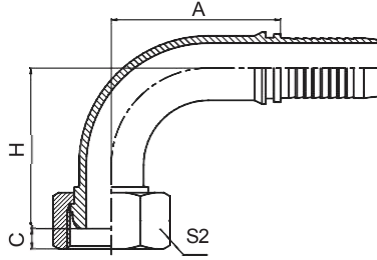
代号 PART NO.	螺纹 E THREAD E	胶管 HOSE BORE		尺寸 DIMENSIONS			
		公称内径 DN	标号 DASH	A	C	H	S2
22141-02-04	G1/8"X28	6	04	43.7	2	21.6	14
22141-04-03	G1/4"X19	5	03	41.3	4	20.4	19
22141-04-04	G1/4"X19	6	04	43.7	4	21.6	19
22141-06-05	G3/8"X19	8	05	46.2	5	22.9	22
22141-06-06	G3/8"X19	10	06	48.1	5	23.9	22
22141-06-08	G3/8"X19	12	08	60.4	5	25.4	22
22141-08-04T	G1/2"X14	6	04	43.9	6	23.8	27
22141-08-06T	G1/2"X14	10	06	42.5	6	18.2	27
22141-08-08	G1/2"X14	12	08	61.8	6	26.8	27
22141-08-10	G1/2"X14	16	10	73	6	29	27
22141-10-10	G5/8"X14	16	10	73.7	8	28.9	30
22141-10-12	G5/8"X14	20	12	79.8	8	32.5	30
22141-12-08T	G3/4"X14	12	08	63.2	9.5	28.3	32
22141-12-10	G3/4"X14	16	10	70.4	9.5	29.6	32
22141-12-12	G3/4"X14	20	12	80.6	9.5	33.2	32
22141-16-12	G1"X11	20	12	81.6	11	33.5	41
22141-16-14	G1"X11	22	14	83.3	11	33	41
22141-16-16	G1"X11	25	16	89.2	11	35	41
22141-20-16T	G1.1/4"X11	25	16	91.4	9.1	37.1	50
22141-20-20W	G1.1/4"X11	32	20	102.9	10	41.2	50
22141-24-24W	G1.1/2"X11	40	24	119.8	11.5	49	55
22141-32-32W	G2"X11	50	32	137.4	15	53	70

注：1. 表中代号用于编织软管。 2. 如需用于缠绕软管代号改为 22142-xx-xx。  
Note: 1.For use with braided hoses. 2.If use with spiral hoses, hose fitting series number is 22142-xx-xx.

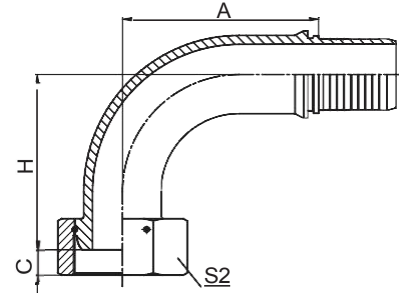
# 扣压式软管接头SWAGED HOSE FITTING



**22191**



**22191-T**



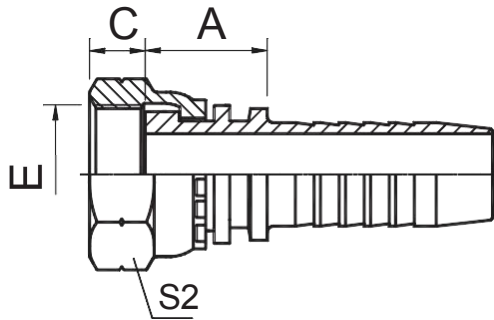
**22191-W**

90°英管内螺纹球面  
90°BSP FEMALE MULTISEAL

Model	Thread	Series		H	C	E	S2
		6	04				
22191-02-04	G1/8"X28	6	04	30	2	38	14
22191-04-04	G1/4"X19	6	04	30	4	38	19
22191-06-05	G3/8"X19	8	05	33	5	42	22
22191-06-08	G3/8"X19	12	08	41	5	50	22
22191-08-08	G1/2"X14	12	08	41	6	52.5	27
22191-10-12	G5/8"X14	20	12	65.5	8	67	30
22191-12-10	G3/4"X14	16	10	56.5	9.5	58.5	32
22191-16-12T	G1"X11	20	12	66.2	11	68.5	41
22191-16-16	G1"X11	25	16	76.7	11	75	41
22191-20-20W	G1.1/4"X11	32	20	92.3	10	85.3	50
22191-32-32W	G2"X11	50	32	133.1	15	123.8	70

注: 1. 表中代号用于编织软管。 2. 如需用于缠绕软管代号改为 22192-xx-xx。  
Note: 1. For use with braided hoses. 2. If use with spiral hoses, hose fitting series number is 22192-xx-xx.

# 扣压式软管接头SWAGED HOSE FITTING

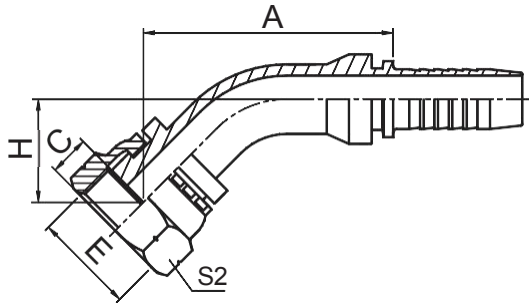


**22211**

英管内螺纹平面  
BSP FEMALE FLAT SEAT

22211-04-04	G1/4"X19	6	04		15.5	8	19	
22211-06-04	G3/8"X19	6	04		17	9	22	
22211-06-06	G3/8"X19	10	06		16.5	9	22	
22211-08-06T	G1/2"X14	10	06		18	10.5	27	
22211-10-08	G5/8"X14	12	08		20	12	30	
22211-12-08T	G3/4"X14	12	08		20.5	13.5	32	
22211-12-12	G3/4"X14	20	12		21.5	13.5	32	
22211-16-16	G1"X11	25	16		23	15.5	41	
22211-24-24W	G1.1/2"X11	40	24		27.5	17.5	55	
注: 1. 表中代号用于编织软管。 2. 如需用于缠绕软管代号改为 22212-xx-xx。 Note: 1.For use with braided hoses. 2.If use with spiral hoses, hose fitting series number is 22212-xx-xx.								

# 扣压式软管接头SWAGED HOSE FITTING

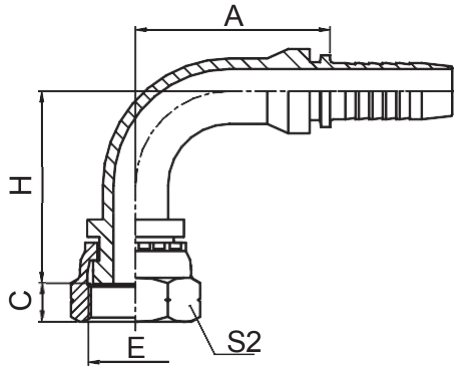


**22241**

45°英管内螺纹平面  
45°BSP FEMALE FLAT SEAT

22241-04-04	G1/4"X19	6	04		40.9	8	18.8	19
22241-08-08	G1/2"X14	12	08		58.9	10.5	24	27
22241-16-16	G1"X11	25	16		82.7	15.5	31.5	41
注: 1. 表中代号用于编织软管。 2. 如需用于缠绕软管代号改为 22242-xx-xx。 Note: 1.For use with braided hoses. 2.If use with spiral hoses, hose fitting series number is 22242-xx-xx.								

# 扣压式软管接头SWAGED HOSE FITTING

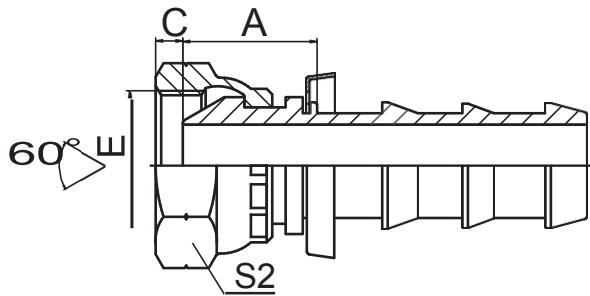


**22291**

90°英管内螺纹平面  
90°BSP FEMALE FLAT SEAT

22291-04-04	G1/4"X19	6	04		30	8	34.5	19
22291-08-08	G1/2"X14	12	08		41	10.5	48	27
22291-16-16	G1"X11	25	16		76.7	15.5	70	41
22291-24-24W	G1.1/2"X11	40	24		109.4	17.5	98.5	55
注: 1. 表中代号用于编织软管。 2. 如需用于缠绕软管代号改为 22292-xx-xx。 Note: 1.For use with braided hoses. 2.If use with spiral hoses, hose fitting series number is 22292-xx-xx.								

# 插锁式软管接头PUSH-ON FITTING



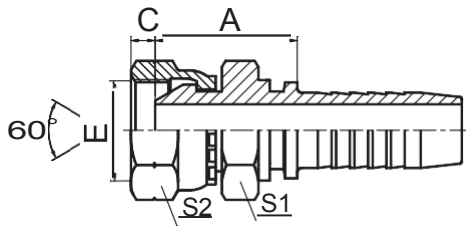
## 22611-PO

英管内螺纹 60°外锥面  
BSP FEMALE 60°CONE

代号 PART NO.	螺 纹 E THREAD E	胶 管 HOSE BORE		尺 寸 DIMENSIONS			
		公称内径 DN	标号 DASH	A	C		S2
22611-04-04PO	G1/4"X19	6	04	19.5	5.5		19
22611-06-06PO	G3/8"X19	10	06	21.5	6.3		22
22611-08-08PO	G1/2"X14	12	08	24.5	7.5		27
22611-12-12PO	G3/4"X14	20	12	29	10.9		32



# 扣压式软管接头SWAGED HOSE FITTING



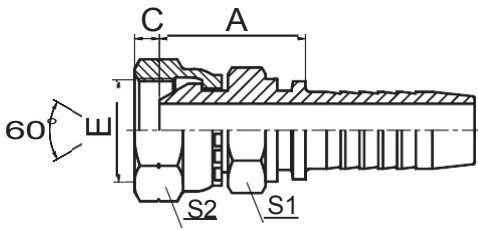
## 22611D

英管内螺纹 60°外锥面双六角  
BSP FEMALE 60°CONE DOUBLE HEXAGON

22611D-04-04	G1/4"X19	6	04		23.5	5.5	19	19
22611D-08-08	G1/2"X14	12	08		31	7.5	27	27
22611D-12-08	G3/4"X14	12	08		31.5	10.9	32	32
22611D-16-16	G1"X11	25	16		35.5	11.7	41	41

注: 1. 表中代号用于编织软管。 2. 如需用于缠绕软管代号改为 22612D-xx-xx。  
Note: 1.For use with braided hoses. 2.If use with spiral hoses, hose fitting series number is 22612D-xx-xx.

# 扣压式软管接头SWAGED HOSE FITTING



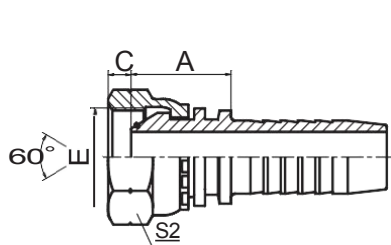
## 22611D-SM

英管内螺纹 60°外锥面双六角  
BSP FEMALE 60°CONE DOUBLE HEXAGON

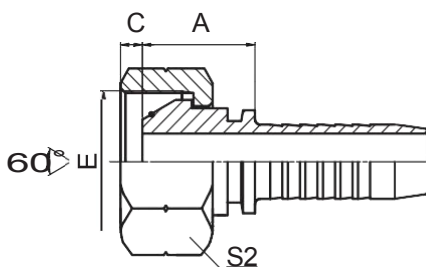
22611D-04-04SM	G1/4"X19	6	04	23.5	5.5	14	19
22611D-08-08SM	G1/2"X14	12	08	29	7.5	22	27
22611D-12-08SM	G3/4"X14	12	08	31.5	10.9	27	32
22611D-16-16SM	G1"X11	25	16	35.5	11.7	32	41

注: 1. 表中代号用于编织软管。 2. 如需用于缠绕软管代号改为 22612D-xx-xxSM。  
Note: 1.For use with braided hoses. 2.If use with spiral hoses, hose fitting series number is 22612D-xx-xxSM.

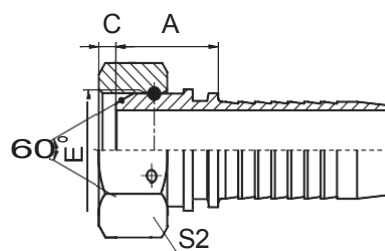
# 扣压式软管接头HOSE FITTING



**22611-OR**



**22611-ORT**



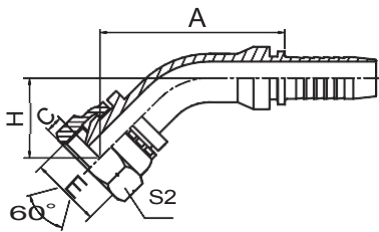
**22611-ORW**

英管内螺纹 60°外锥面O形圈  
BSP FEMALE 60°CONE O-RING

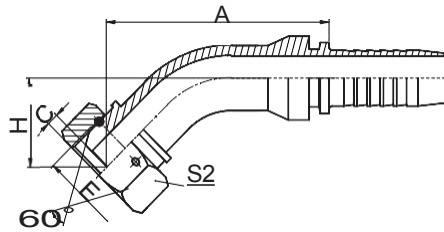
代号 PART NO.	螺纹 E THREAD E	胶管 HOSE BORE		尺寸 DIMENSIONS			
		公称内径 DN	标号 DASH	A	C	S2	
22611-02-03OR	G1/8"X28	5	03	15	5.5	14	
22611-02-04OR	G1/8"X28	6	04	15	5.5	14	
22611-04-03OR	G1/4"X19	5	03	17	5.5	19	
22611-04-04OR	G1/4"X19	6	04	18	5.5	19	
22611-04-05OR	G1/4"X19	8	05	18	5.5	19	
22611-04-06OR	G1/4"X19	10	06	18	5.5	19	
22611-06-04OR	G3/8"X19	6	04	19	6.3	22	
22611-06-05OR	G3/8"X19	8	05	19	6.3	22	
22611-06-06OR	G3/8"X19	10	06	19.5	6.3	22	
22611-06-08OR	G3/8"X19	12	08	19.5	6.3	22	
22611-08-06ORT	G1/2"X14	10	06	21	7.5	27	
22611-08-08OR	G1/2"X14	12	08	21.5	7.5	27	
22611-10-08OR	G5/8"X14	12	08	22	9.5	30	
22611-10-10OR	G5/8"X14	16	10	23	9.5	30	
22611-12-08ORT	G3/4"X14	12	08	22	10.9	32	
22611-12-10OR	G3/4"X14	16	10	23.5	10.9	32	
22611-12-12OR	G3/4"X14	20	12	24	10.9	32	
22611-16-12ORT	G1"X11	20	12	24	11.7	41	
22611-16-14OR	G1"X11	22	14	26	11.7	41	
22611-16-16OR	G1"X11	25	16	27	11.7	41	
22611-20-16ORT	G1.1/4"X11	25	16	27.5	11	50	
22611-20-20ORW	G1.1/4"X11	32	20	30.5	11	50	
22611-24-20ORT	G1.1/2"X11	32	20	32	13	55	
22611-24-24ORW	G1.1/2"X11	40	24	32	13	55	
22611-32-24ORT	G2"X11	40	24	30	16	70	
22611-32-32ORW	G2"X11	50	32	31.9	16	70	

注：1. 表中代号用于编织软管。 2. 如需用于缠绕软管代号改为 22612-xx-xxOR。  
Note: 1.For use with braided hoses. 2.If use with spiral hoses, hose fitting series number is 22612-xx-xxOR.

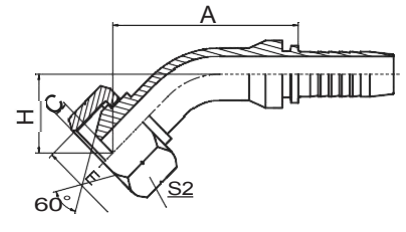
# 扣压式软管接头HOSE FITTING



**22641**



**22641-W**



**22641-T**

45°英管内螺纹 60°外锥面  
45° BSP FEMALE 60°CONE

Part Number	Thread	Dimensions		Other Dimensions			
		6	04	42.3	5.5	20.2	19
22641-04-04	G1/4"X19	6	04	42.3	5.5	20.2	19
22641-06-05	G3/8"X19	8	05	45.3	6.3	22	22
22641-08-06T	G1/2"X14	10	06	48.1	7.5	23.9	27
22641-10-08	G5/8"X14	12	08	61.4	9.5	26.5	30
22641-12-08T	G3/4"X14	12	08	61.8	10.9	26.9	32
22641-12-12	G3/4"X14	20	12	79.2	10.9	31.8	32
22641-16-16	G1"X11	25	16	88.4	11.7	34.2	41
22641-20-20W	G1.1/4"X11	32	20	98.8	11	38	50
22641-32-32W	G2"X11	50	32	135.7	16	52.7	70

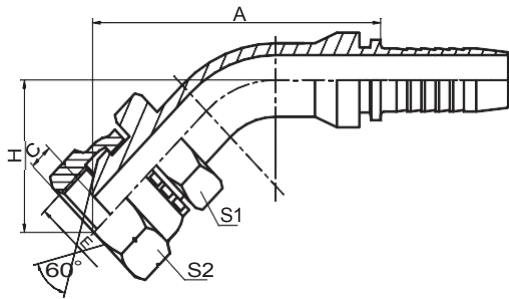
注：1. 表中代号用于编织软管。

2. 如需用于缠绕软管代号改为 22642-xx-xx。

Note: 1. For use with braided hoses.

2. If use with spiral hoses, hose fitting series number is 22642-xx-xx.

# 扣压式软管接头HOSE FITTING



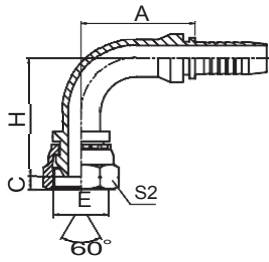
## 22641D-SM

90°英管内螺纹 60°外锥面双六角  
 90°BSP FEMALE 60°CONE DOUBLE HEXAGON

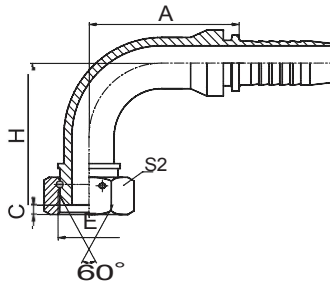
代号 PART NO.	螺纹 E THREAD E	胶管 HOSE BORE		尺寸 DIMENSIONS				
		公称内径 DN	标号 DASH	A	C	H	S1	S2
22641D-04-04SM	G1/4"X19	6	04	44.6	5.5	25.5	14	19
22641D-06-06SM	G3/8"X19	10	06	51.6	6.3	26.9	17	22
22641D-08-08SM	G1/2"X14	12	08	66	7.5	31	22	27
22641D-10-08SM	G5/8"X14	12	08	66	9.5	31	22	30
22641D-12-08SM	G3/4"X14	12	08	66	10.9	31.5	27	32
22641D-12-12SM	G3/4"X14	20	12	85.5	10.9	37.4	27	32
22641D-16-16SM	G1"X11	25	16	94.7	11.7	40.5	32	41

注：1. 表中代号用于编织软管。 2. 如需用于缠绕软管代号改为 22642D-xx-xx。  
 Note: 1. For use with braided hoses. 2. If use with spiral hoses, hose fitting series number is 22642D-xx-xx.

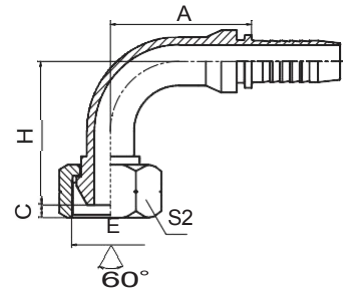
# 扣压式软管接头SWAGED HOSE FITTING



**22691**



**22691-W**



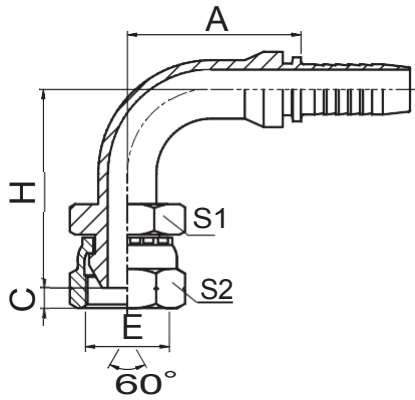
**22691-T**

90°英管内螺纹 60°外锥面  
90°BSP FEMALE 60°CONE

22691-02-03	G1/8"X28	5	03	26.5	5.5	31.5	14
22691-04-03	G1/4"X19	5	03	26.5	5.5	33.5	19
22691-04-05	G1/4"X19	8	05	33	5.5	39.5	19
22691-06-04	G3/8"X19	6	04	30	6.3	37.7	22
22691-06-06	G3/8"X19	10	06	35.3	6.3	43	22
22691-08-08	G1/2"X14	12	08	41	7.5	51	27
22691-10-08	G5/8"X14	12	08	41	9.5	51.5	30
22691-12-08T	G3/4"X14	12	08	41	10.9	52.1	32
22691-12-12	G3/4"X14	20	12	64.9	10.9	66.1	32
22691-16-14	G1"X11	22	14	71.2	11.7	69.3	41
22691-20-16T	G1.1/4"X11	25	16	78	11	69.5	50
22691-24-24W	G1.1/2"X11	40	24	109.4	13	103	55

注：1. 表中代号用于编织软管。 2. 如需用于缠绕软管代号改为 22692-xx-xx。  
Note: 1.For use with braided hoses. 2.If use with spiral hoses, hose fitting series number is 22692-xx-xx.

# 扣压式软管接头HOSE FITTING

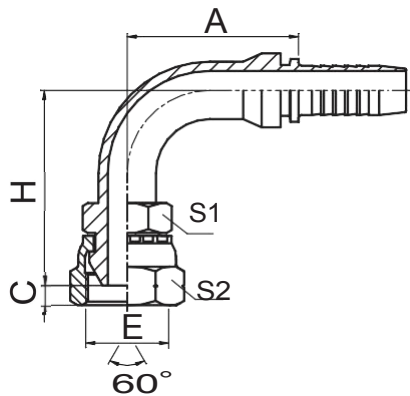


## 22691D

90°英管内螺纹 60°外锥面双六角 90°  
BSP FEMALE 60°CONE DOUBLE HEXAGON

代号 PART NO.	螺纹 E THREAD E	胶管 HOSE BORE		尺寸 DIMENSIONS				
		公称内径 DN	标号 DASH	A	C	H	S1	S2
22691D-04-04	G1/4"X19	6	04	30	5.5	40.5	19	19
22691D-06-06	G3/8"X19	10	06	35.3	6.3	49	22	22
22691D-08-08	G1/2"X14	12	08	41	7.5	58	27	27
22691D-12-12	G3/4"X14	20	12	65.5	10.9	74	32	32
22691D-16-16	G1"X11	25	16	76.7	11.7	82	41	41

# 扣压式软管接头HOSE FITTING



## 22691D-SM

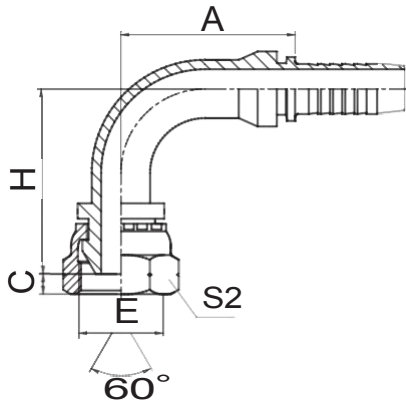
90°英管内螺纹 60°外锥面双六角  
90°BSP FEMALE 60°CONE DOUBLE HEXAGON

代号 PART NO.	螺纹 E THREAD E	胶管 HOSE BORE		尺寸 DIMENSIONS					
		公称内径 DN	标号 DASH	A	C	H	S1	S2	
22691D-04-04SM	G1/4"X19	6	04	30	5.5	40.5	14	19	
22691D-06-06SM	G3/8"X19	10	06	35.3	6.3	49	17	22	
22691D-08-08SM	G1/2"X14	12	08	41	7.5	58	22	27	
22691D-10-08SM	G5/8"X14	12	08	41	9.5	58	22	30	
22691D-12-08SM	G3/4"X14	12	08	41.5	10.9	58	27	32	
22691D-12-12SM	G3/4"X14	20	12	65.5	10.9	74	27	32	
22691D-16-16SM	G1"X11	25	16	76.7	11.7	82.8	32	41	

注：1.表中代号用于编织软管。 2.如需用于缠绕软管代号改为22692D-xx-xx。  
Note: 1.For use with braided hoses. 2.If use with spiral hoses, hose fitting series number is 22692D-xx-xx.



# 扣压式软管接头HOSE FITTING



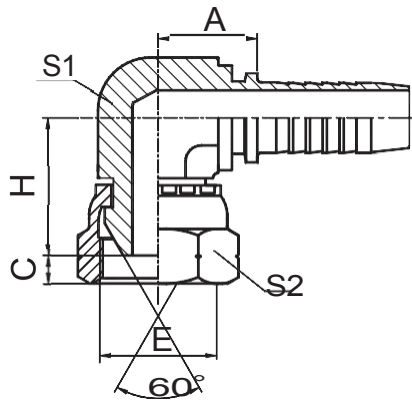
## 22691-H

90°英管内螺纹 60°外锥面  
90°BSP FEMALE 60°CONE

代号 PART NO.	螺纹 E THREAD E	胶管 HOSE BORE		尺寸 DIMENSIONS			
		公称内径 DN	标号 DASH	A	C	H	S2
22691-04-04(H62)	G1/4"X19	6	04	30	5.5	62	19
22691-06-06(H77.5)	G3/8"X19	10	06	35.3	6.3	77.5	22
22691-08-08(H84)	G1/2"X14	12	08	41	7.5	84	27
22691-10-10(H114)	G5/8"X14	16	10	56.5	9.5	114	30
22691-12-12(H137)	G3/4"X14	20	12	65.5	10.9	137	32
22691-16-16(H140.5)	G1"X11	25	16	76.7	11.7	140.5	41

注：1. 表中代号用于编织软管。 2. 如需用于缠绕软管代号改为 22692-xx-xx。  
Note: 1.For use with braided hoses. 2.If use with spiral hoses, hose fitting series number is 22692-xx-xx.

# 扣压式软管接头SWAGED HOSE FITTING



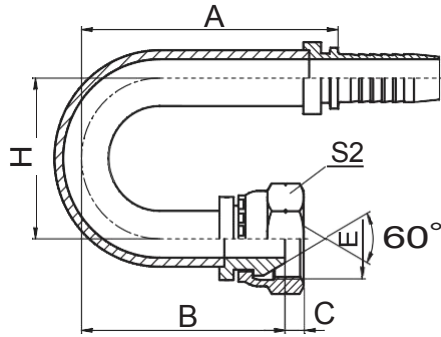
## 22691K

90°英管短身内螺纹 60°外锥面  
90°BSP COMPACT FEMALE 60°CONE

22691K-04-04	G1/4"X19	6	04	17.5	5.5	18.5	11	19
22691K-06-05	G3/8"X19	8	05	20	6.3	24	16	22
22691K-08-06	G1/2"X14	10	06	23	7.5	28.5	19	27
22691K-10-10	G5/8"X14	16	10	24.5	9.5	30.5	22	30
22691K-16-16	G1"X11	25	16	43	11.7	38.5	33	41

注: 1. 表中代号用于编织软管。 2. 如需用于缠绕软管代号改为 22692K-xx-xx。  
Note: 1.For use with braided hoses. 2.If use with spiral hoses, hose fitting series number is 22692K-xx-xx.

# 扣压式软管接头HOSE FITTING



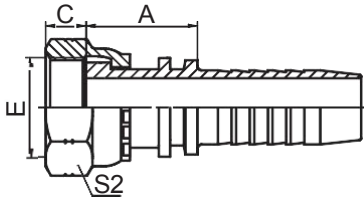
## 22691-V180

180°英管内螺纹 60°外锥面  
180° BSP FEMALE 60° CONE

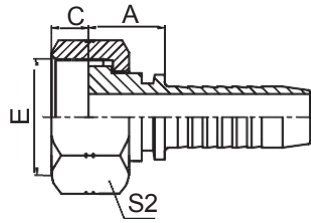
代号 PART NO.	螺纹 E THREAD E	胶管 HOSE BORE		尺寸 DIMENSIONS				
		公称内径 DN	标号 DASH	A	B	C	H	S2
22691-04-04(V180)	G1/4"X19	6	04	65.5	46	5.5	40	19
22691-06-06(V180)	G3/8"X19	10	06	90.8	63.5	6.3	50	22
22691-08-08(V180)	G1/2"X14	12	08	104.3	71	7.5	60	27
22691-10-10(V180)	G5/8"X14	16	10	130.5	90	9.5	80	30
22691-12-12(V180)	G3/4"X14	20	12	160.5	111	10.9	100	32
22691-16-16(V180)	G1"X11	25	16	196.8	132.5	11.7	120	41

注：1. 表中代号用于编织软管。 2. 如需用于缠绕软管代号改为 22692-xx-xx。  
Note: 1.For use with braided hoses. 2.If use with spiral hoses, hose fitting series number is 22692-xx-xx.

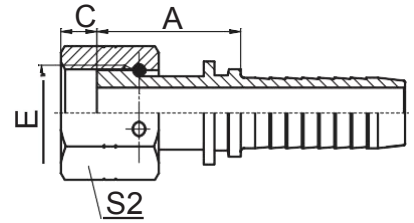
# 扣压式软管接头SWAGED HOSE FITTING



**24211**



**24211-T**



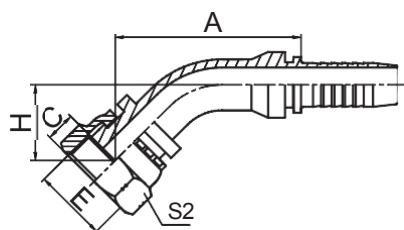
**24211W**

美制ORFS 内螺纹平面  
ORFS FEMALE FLAT SEAT  
ISO 12151-1--SAE J516

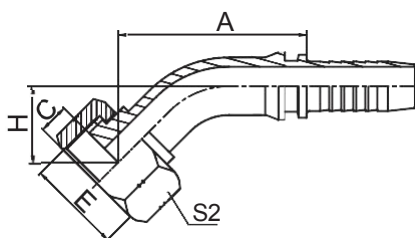
24211-04-04	9/16"X18	6	04		22.5	8.5	19	
24211-04-06	9/16"X18	10	06		22.5	8.5	19	
24211-06-05T	11/16"X16	8	05		23.5	10	22	
24211-06-08	11/16"X16	12	08		26	10	22	
24211-08-06T	13/16"X16	10	06		25	11	27	
24211-08-10	13/16"X16	16	10		29	11	27	
24211-10-10	1"X14	16	10		33	13.5	30	
24211-12-08T	1.3/16"X12	12	08		30.5	15	36	
24211-12-12	1.3/16"X12	20	12		35	15	36	
24211-16-12T	1.7/16"X12	20	12		35	14.8	41	
24211-16-16T	1.7/16"X12	25	16		35	14.8	41	
24211-20-16T	1.11/16"X12	25	16		35	15	50	
24211-20-24W	1.11/16"X12	40	24		42.5	15	50	
24211-24-24T	2"X12	40	24		36	14.8	60	

注: 1. 表中代号用于编织软管。 2. 如需用于缠绕软管代号改为 24212-xx-xx。  
Note: 1.For use with braided hoses. 2.If use with spiral hoses, hose fitting series number is 24212-xx-xx.

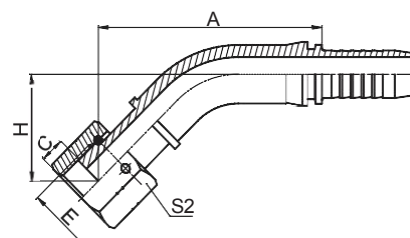
# 扣压式软管接头SWAGED HOSE FITTING



**24241**



**24241-T**



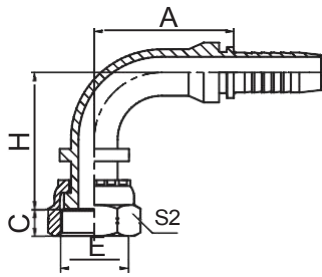
**24241-W**

45°美制ORFS内螺纹平面  
45°ORFS FEMALE FLAT SEAT  
ISO 12151-1--SAE J516

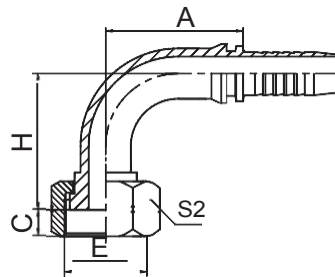
代号 PART NO.	螺纹 E THREAD E	胶管 HOSE BORE		尺寸 DIMENSIONS			
		公称内径 DN	标号 DASH	A	H	C	S2
24241-04-04	9/16"X18	6	04	45.5	23.4	8.5	19
24241-04-05	9/16"X18	8	05	47.6	24.3	8.5	19
24241-04-06	9/16"X18	10	06	49.2	24.9	8.5	19
24241-06-04T	11/16"X16	6	04	39.5	17.4	10	22
24241-06-05T	11/16"X16	8	05	42.3	19	10	22
24241-06-06	11/16"X16	10	06	51.3	27.1	10	22
24241-08-06T	13/16"X16	10	06	44.6	20.3	11	27
24241-08-08	13/16"X16	12	08	65.7	30.7	11	27
24241-08-10	13/16"X16	16	10	76.5	31.7	11	27
24241-10-08T	1"X14	12	08	58.2	23.3	13.5	30
24241-10-10	1"X14	16	10	79.2	34.9	13.5	30
24241-12-08T	1.3/16"X12	12	08	58.2	23.3	15	36
24241-12-10T	1.3/16"X12	16	10	68.2	23.9	15	36
24241-12-12	1.3/16"X12	20	12	87	39.5	15	36
24241-12-16	1.3/16"X12	25	16	95.3	41	15	36
24241-16-12T	1.7/16"X12	20	12	74	29.6	14.8	41
24241-16-14T	1.7/16"X12	22	14	78.7	28.5	14.8	41
24241-16-16T	1.7/16"X12	25	16	84.1	29.7	14.8	41
24241-20-16T	1.11/16"X12	25	16	84.1	29.7	15	50
24241-20-20W	1.11/16"X12	32	20	111.2	49	15	50
24241-24-20T	2"X12	32	20	94.5	33.8	14.8	60
24241-24-24T	2"X12	40	24	108.5	37.7	14.8	60

注: 1. 表中代号用于编织软管。 2. 如需用于缠绕软管代号改为 24242-xx-xx。  
Note: 1.For use with braided hoses. 2.If use with spiral hoses, hose fitting series number is 24242-xx-xx.

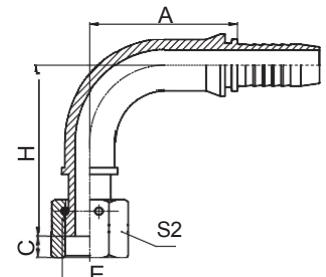
# 扣压式软管接头SWAGED HOSE FITTING



**24291**



**24291-T**



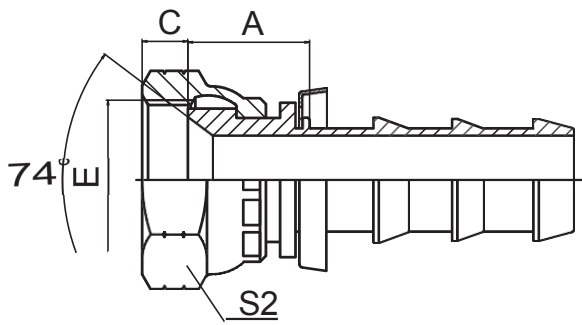
**24291W**

90°美制ORFS 内螺纹平面  
 90°ORFS FEMALE FLAT SEAT  
 ISO 12151-1--SAE J516

24291-04-04	9/16"X18	6	04		30	41	8.5	19
24291-06-05T	11/16"X16	8	05		33	37.5	10	22
24291-06-08	11/16"X16	12	08		41	55	10	22
24291-08-08	13/16"X16	12	08		41	57.5	11	27
24291-10-08T	1"X14	12	08		41	46	13.5	30
24291-10-12	1"X14	20	12		65.5	75.5	13.5	30
24291-12-12	1.3/16"X12	20	12		65.5	77	15	36
24291-16-12T	1.7/16"X12	20	12		65.5	63	14.8	41
24291-16-16T	1.7/16"X12	25	16		76.9	67.5	14.8	41
24291-20-20W	1.11/16"X12	32	20		93	100	15	50
24291-24-24T	2"X12	40	24		109.4	92	14.8	60

注: 1. 表中代号用于编织软管。 2. 如需用于缠绕软管代号改为 24292-xx-xx。  
 Note: 1.For use with braided hoses. 2.If use with spiral hoses, hose fitting series number is 24292-xx-xx.

# 插锁式软管接头PUSH-ON FITTING

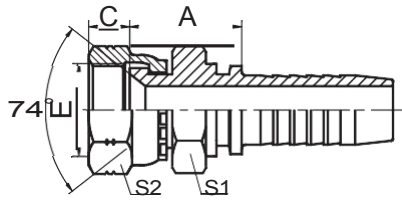


## 26711-PO

美制JIC 内螺纹 74°内锥面  
JIC FEMALE 74° CONE SEAT

代号 PART NO.	螺纹 E THREAD E	胶管 HOSE BORE		尺寸 DIMENSIONS			
		公称内径 DN	标号 DASH	A	C		S2
26711-04-04PO	7/16"X20	6	04	12.2	9		15
26711-05-04PO	1/2"X20	6	04	12.2	9.5		17
26711-06-06PO	9/16"X18	10	06	12.5	10.5		19
26711-08-06PO	3/4"X16	10	06	12.5	11		24
26711-08-08PO	3/4"X16	12	08	14.7	11		24
26711-10-08PO	7/8"X14	12	08	15.2	13		27
26711-10-10PO	7/8"X14	16	10				27
26711-12-12PO	1.1/16"X12	20	12	17.4	15		32
26711-16-16PO	1.5/16"X12	25	16				41

# 扣压式软管接头SWAGED HOSE FITTING



## 26711D

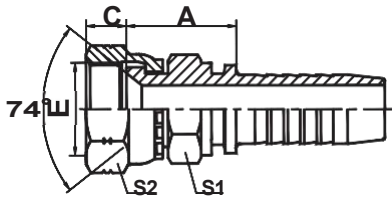
美制JIC 内螺纹 74°内锥面双六角  
 JIC FEMALE 74° CONE SEAT DOUBLE HEXAGON  
 SAE J514

Part Number	Size	Hexagon Length (A)		Hexagon Diameter (C)				
		6	10	16	20	24	32	
26711D-04-04	7/16"X20	6	04		20	9	17	15
26711D-06-04	9/16"X18	6	04		21	10.5	19	19
26711D-08-06	3/4"X16	10	06		25	11	24	24
26711D-08-10	3/4"X16	16	10		25.5	11	24	24
26711D-10-10	7/8"X14	16	10		29	13	27	27
26711D-16-12	1.5/16"X12	20	12		33.5	16	41	41
26711D-16-20	1.5/16"X12	32	20		36.5	16	41	41

注：1. 表中代号用于编织软管。 2. 如需用于缠绕软管代号改为 26712D-xx-xx。  
 Note: 1.For use with braided hoses. 2.If use with spiral hoses, hose fitting series number is 26712D-xx-xx.



# 扣压式软管接头SWAGED HOSE FITTING



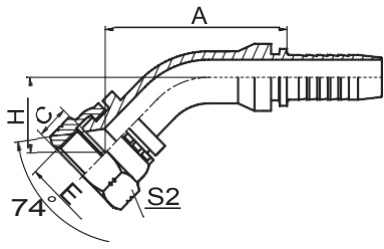
## 26711D-SM

美制JIC 内螺纹 74°内锥面双六角  
 JIC FEMALE 74° CONE SEAT DOUBLE HEXAGON  
 SAE J514

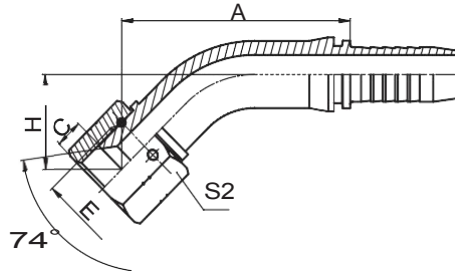
26711D-04-04SM	7/16"X20	6	04	20	9	12	15
26711D-06-04SM	9/16"X18	6	04	21	10.5	14	19
26711D-08-06SM	3/4"X16	10	06	23	11	19	24
26711D-08-10SM	3/4"X16	16	10	25.5	11	22	24
26711D-10-10SM	7/8"X14	16	10	27	13	22	27
26711D-16-12SM	1.5/16"X12	20	12	31.5	16	32	41
26711D-20-20WSM	1.7/16"X12	32	20	39	17	41	50

注: 1. 表中代号用于编织软管。 2. 如需用于缠绕软管代号改为 26712D-xx-xxSM。  
 Note: 1.For use with braided hoses. 2.If use with spiral hoses, hose fitting series number is 26712D-xx-xxSM.

# 扣压式软管接头SWAGED HOSE FITTING



**26741**



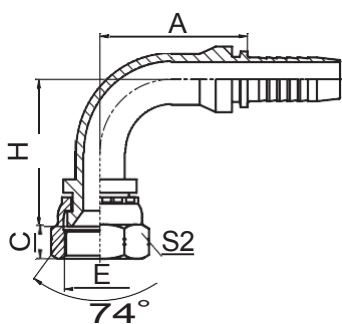
**26741W**

45°美制JIC 内螺纹 74°内锥面  
45°JIC FEMALE 74°CONE SEAT  
SAE J514

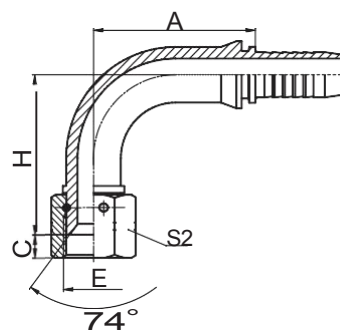
26741-04-03	7/16"X20	5	03	37.6	9	17.2	15
26741-05-04	1/2"X20	6	04	40.5	9.5	18.5	17
26741-05-06	1/2"X20	10	06	44.6	9.5	20.3	17
26741-06-05	9/16"X18	8	05	42.6	10.5	19.3	19
26741-08-06	3/4"X16	10	06	45.7	11	21.4	24
26741-10-08	7/8"X14	12	08	58.9	13	24	27
26741-10-12	7/8"X14	20	12	75.7	13	28.9	27
26741-12-10	1.1/16"X12	16	10	70.7	15	26.4	32
26741-14-12	1.3/16"X12	20	12	77.4	15	30	36
26741-16-16	1.5/16"X12	25	16	85.7	16	31.5	41
26741-24-20W	1.7/8"X12	32	20	100.9	20	40.1	55
26741-32-32W	2.1/2"X12	50	32	135.9	23.5	51.6	75

注：1. 表中代号用于编织软管。 2. 如需用于缠绕软管代号改为 26742-xx-xx。  
Note: 1.For use with braided hoses. 2.If use with spiral hoses, hose fitting series number is 26742-xx-xx.

# 扣压式软管接头SWAGED HOSE FITTING



**26791**



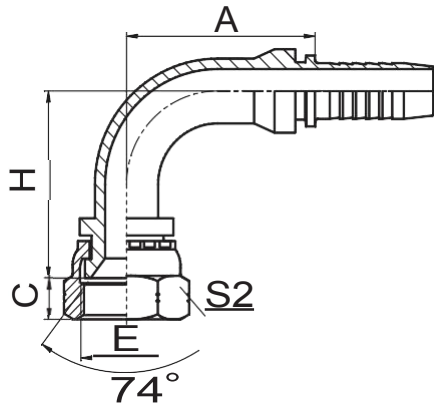
**26791W**

90°美制JIC 内螺纹 74°内锥面  
 90°JIC FEMALE 74°CONE SEAT  
 SAE J514

26791-04-03	7/16"X20	5	03	26.5	9	30.5	15
26791-05-04	1/2"X20	6	04	30	9.5	34	17
26791-05-06	1/2"X20	10	06	35.3	9.5	39.3	17
26791-06-05	9/16"X18	8	05	33	10.5	37	19
26791-06-08	9/16"X18	12	08	35.8	10.5	39.8	19
26791-08-08	3/4"X16	12	08	41	11	47.5	24
26791-10-08	7/8"X14	12	08	41	13	48	27
26791-10-12	7/8"X14	20	12	64.9	13	62	27
26791-12-10	1.1/16"X12	16	10	56	15	54	32
26791-12-16	1.1/16"X12	25	16	74	15	63.5	32
26791-16-12	1.5/16"X12	20	12	65.5	16	63.5	41
26791-20-20W	1.5/8"X12	32	20	91.5	17	80.5	50
26791-24-24W	1.7/8"X12	40	24	109.4	20	94	55

注: 1. 表中代号用于编织软管。 2. 如需用于缠绕软管代号改为 26792-xx-xx。  
 Note: 1. For use with braided hoses. 2. If use with spiral hoses, hose fitting series number is 26792-xx-xx.

# 扣压式软管接头HOSE FITTING



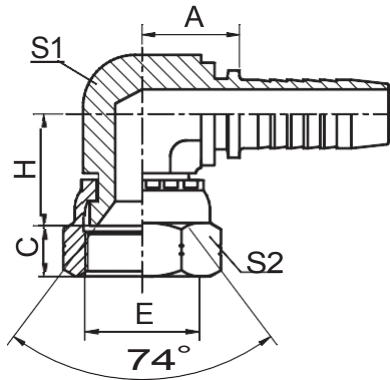
## 26791-H

90°美制JIC 内螺纹 74°内锥面  
90°JIC FEMALE 74°CONE SEAT

代号 PART NO.	螺纹 E THREAD E	胶管 HOSE BORE		尺寸 DIMENSIONS			
		公称内径 DN	标号 DASH	A	C	H	S2
26791-06-04(H66)	9/16"X18	6	04	30	10.5	66	19
26791-08-06(H78)	3/4"X16	10	06	35.3	11	78	24
26791-10-08(H86)	7/8"X14	12	08	41	13	86	27
26791-12-12(H135)	1.1/16"X12	20	12	65.5	15	135	32
26791-16-16(H140)	1.5/16"X12	25	16	76.7	16	140	41

注：1. 表中代号用于编织软管。 2. 如需用于缠绕软管代号改为 26792-xx-xx。  
Note: 1.For use with braided hoses. 2.If use with spiral hoses, hose fitting series number is 26792-xx-xx.

# 扣压式软管接头SWAGED HOSE FITTING



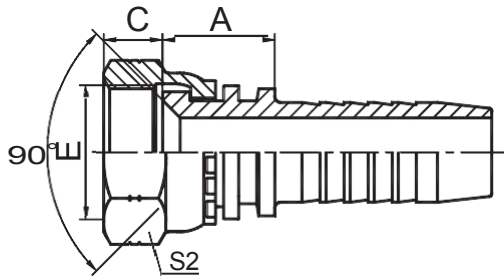
## 26791K

90°美制短身JIC 内螺纹 74°内锥面  
 90°JIC COMPACT FEMALE 74°CONE SEAT  
 SAE J514

26791K-04-04	7/16"X20	6	04	17.5	9	18	11	15
26791K-06-06	9/16"X18	10	06	20	10.5	20.5	16	19
26791K-08-08	3/4"X16	12	08	23.5	11	25	22	24
26791K-10-10	7/8"X14	16	10	25	13	27	22	27
26791K-16-16	1.5/16"X12	25	16	43	16	34.3	33	41

注: 1. 表中代号用于编织软管。 2. 如需用于缠绕软管代号改为 26792K-xx-xx。  
 Note: 1. For use with braided hoses. 2. If use with spiral hoses, hose fitting series number is 26792K-xx-xx.

# 扣压式软管接头SWAGED HOSE FITTING



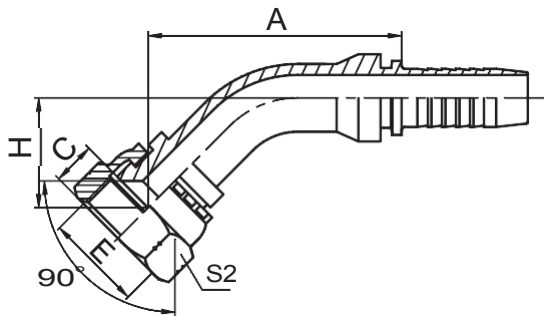
**27811**

美制SAE 内螺纹 90° 内锥面  
SAE FEMALE 90° CONE SEAT  
SAE J513

27811-04-03	7/16"X20	5	03		14	9	15
27811-05-05	1/2"X20	8	05		15.5	9.5	17
27811-06-05	5/8"X18	8	05		17	11.3	22
27811-08-08	3/4"X16	12	08		18	11	24
27811-10-10	7/8"X14	16	10		20	13	27

注：1. 表中代号用于编织软管。 2. 如需用于缠绕软管代号改为 27812-xx-xx。  
Note: 1.For use with braided hoses. 2.If use with spiral hoses, hose fitting series number is 27812-xx-xx.

# 扣压式软管接头SWAGED HOSE FITTING



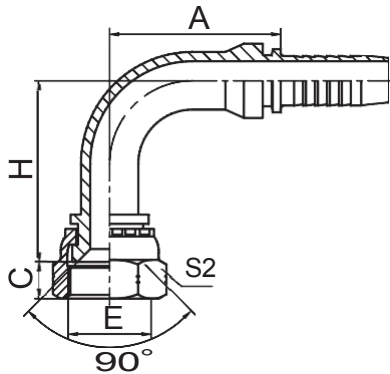
## 27841

45° 美制SAE 内螺纹 90° 内锥面  
 45° SAE FEMALE 90° CONE SEAT  
 SAE J513

Part Number	Size	Dimensions		Weights			
		Length (mm)	Length (in)	Weight (kg)	Weight (lb)	Weight (oz)	Weight (g)
27841-04-03	7/16"X20	5	03	37.6	9	17.2	15
27841-06-05	5/8"X18	8	05	43.7	11.3	20.4	22
27841-08-08	3/4"X16	12	08	58.2	11	23.3	24
27841-10-10	7/8"X14	16	10	69.6	13	25.3	27

注: 1. 表中代号用于编织软管。 2. 如需用于缠绕软管代号改为 27842-xx-xx。  
 Note: 1.For use with braided hoses. 2.If use with spiral hoses, hose fitting series number is 27842-xx-xx.

# 扣压式软管接头SWAGED HOSE FITTING



**27891**

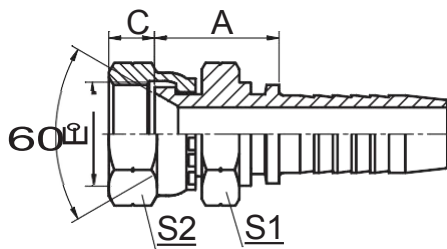
90° 美制SAE 内螺纹 90° 内锥面  
 90° SAE FEMALE 90° CONE SEAT  
 SAE J513

27891-04-04	7/16"X20	6	04		30	9	33.5 15
27891-06-05	5/8"X18	8	05		33	11.3	38.5 22
27891-10-08	7/8"X14	12	08		42	13	47 27
27891-12-12	1.1/16"X14	20	12		65	14.3	63.5 32

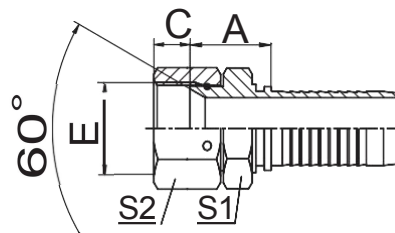
注：1. 表中代号用于编织软管。 2. 如需用于缠绕软管代号改为 27892-xx-xx。  
 Note: 1.For use with braided hoses. 2.If use with spiral hoses, hose fitting series number is 27892-xx-xx.



# 扣压式软管接头SWAGED HOSE FITTING



**28611**



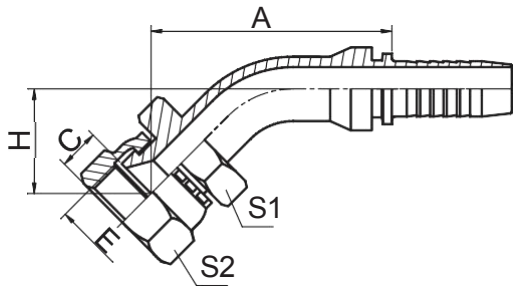
**28611-W**

日本公制内螺纹 60° 内锥面  
JIS METRIC FEMALE 60° CONE SEAT

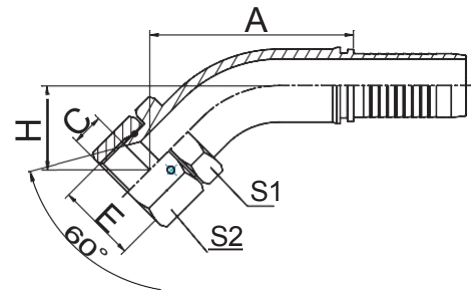
28611-12-04	M12X1.5	6	04	20	9	17	17
28611-14-06	M14X1.5	10	06	21	10.5	19	19
28611-16-05	M16X1.5	8	05	24	10	22	22
28611-18-06	M18X1.5	10	06	24	11.5	24	24
28611-20-08	M20X1.5	12	08	28.5	12	27	27
28611-24-08	M24X1.5	12	08	27.5	15	32	32
28611-30-12	M30X1.5	20	12	28.5	18.3	36	36
28611-33-16	M33X1.5	25	16	32	21.3	41	41
28611-42-24W	M42X1.5	40	24	36	18.8	55	55

注: 1. 表中代号用于编织软管。 2. 如需用于缠绕软管代号改为 28612-xx-xx。  
Note: 1.For use with braided hoses. 2.If use with spiral hoses, hose fitting series number is 28612-xx-xx.

# 扣压式软管接头SWAGED HOSE FITTING



**28641**



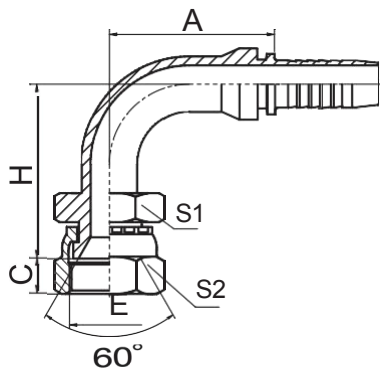
**28641-W**

45°日本公制内螺纹 60°内锥面  
45°JIS METRIC FEMALE 60°CONE SEAT

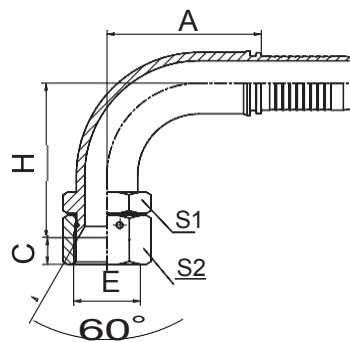
Model	Thread	Dimensions (mm)			Dimensions (mm)				
		6	10	16	A	I	C	F	S1
28641-14-04	M14X1.5	6	04		43.4	10.5	21.3	19	19
28641-18-06	M18X1.5	10	06		49.2	11.5	24.9	24	24
28641-24-10	M24X1.5	16	10		74.7	15	29.9	32	32
28641-33-16	M33X1.5	25	16		89.9	21.3	35.7	41	41
28641-42-24W	M42X1.5	40	24		119.7	18.8	49	50	55

注：1. 表中代号用于编织软管。 2. 如需用于缠绕软管代号改为 28642-xx-xx。  
Note: 1.For use with braided hoses. 2.If use with spiral hoses, hose fitting series number is 28642-xx-xx.

# 扣压式软管接头SWAGED HOSE FITTING



**28691**



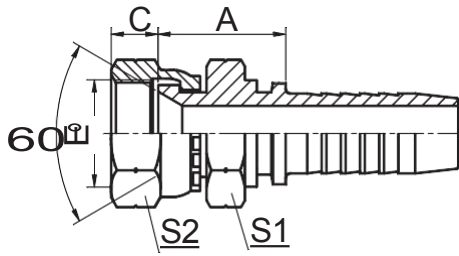
**28691-W**

90° 日本公制内螺纹 60° 内锥面  
90° JIS METRIC FEMALE 60° CONE SEAT

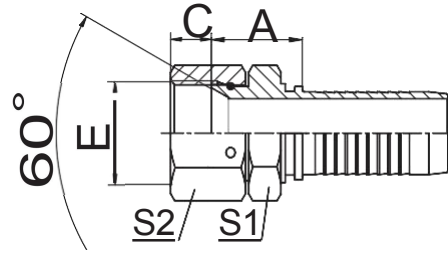
28691-14-04W	M14X1.5	6	04		30	10.5	40	19	19
28691-16-05	M16X1.5	8	05		33	10	44	22	22
28691-22-08	M22X1.5	12	08		41	14	52.5	27	27
28691-30-12	M30X1.5	20	12		65.5	18.3	71.5	36	36
28691-36-20	M36X1.5	32	20		93	20	89	46	46

注：1. 表中代号用于编织软管。 2. 如需用于缠绕软管代号改为 28692-xx-xx。  
Note: 1.For use with braided hoses. 2.If use with spiral hoses, hose fitting series number is 28692-xx-xx.

# 扣压式软管接头SWAGED HOSE FITTING



**29611**



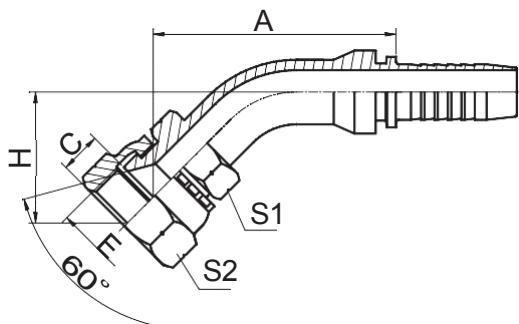
**29611-W**

日本英制内螺纹 60° 内锥面  
 JIS GAS FEMALE 60° CONE SEAT  
 JIS B8363

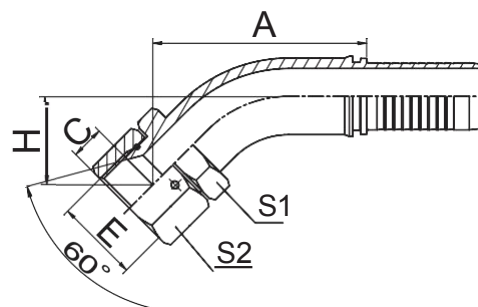
29611-02-03	G1/8"X28	5	03		20	7	14	14
29611-04-05	G1/4"X19	8	05		21	8	19	19
29611-06-06	G3/8"X19	10	06		23	9	22	22
29611-08-08	G1/2"X14	12	08		26.5	12	27	27
29611-12-10	G3/4"X14	16	10		30	13.5	32	32
29611-16-16	G1"X11	25	16		32	16	41	41
29611-24-24W	G1.1/2"X11	40	24		43.5	19	55	55

注：1. 表中代号用于编织软管。 2. 如需用于缠绕软管代号改为 29612-xx-xx。  
 Note: 1.For use with braided hoses. 2.If use with spiral hoses, hose fitting series number is 29612-xx-xx.

# 扣压式软管接头SWAGED HOSE FITTING



**29641**



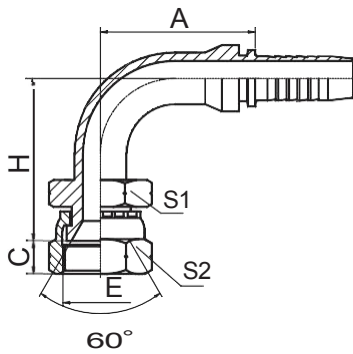
**29641-W**

45° 日本英管内螺纹 60° 内锥面  
 45° JIS GAS FEMALE 60° CONE SEAT  
 JIS B8363

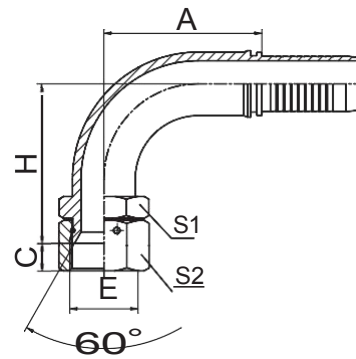
29641-04-04	G1/4"X19	6	04		43.4	8	21.3	19	19
29641-08-08	G1/2"X14	12	08		63.5	12	27.5	27	27
29641-16-16	G1"X11	25	16		87.3	16	36.1	41	41
29641-24-24W	G1.1/2"X11	40	24		121.5	19	50.8	55	55

注：1. 表中代号用于编织软管。 2. 如需用于缠绕软管代号改为 29642-xx-xx。  
 Note: 1. For use with braided hoses. 2. If use with spiral hoses, hose fitting series number is 29642-xx-xx.

# 扣压式软管接头SWAGED HOSE FITTING



**29691**



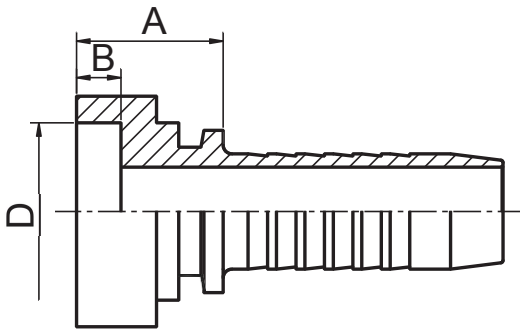
**29691-W**

90°日本英管内螺纹 60°内锥面  
 90°JIS GAS FEMALE 60°CONE SEAT  
 JIS B8363

Model	Thread	Dimensions (mm)			Dimensions (mm)				
		6	04		30	8	38	19	19
29691-04-04	G1/4"X19	6	04		30	8	38	19	19
29691-06-06	G3/8"X19	10	06		35.6	9	45.8	22	22
29691-10-10	G5/8"X14	16	10		56.5	11.5	61	30	30
29691-16-16	G1"X11	25	16		76.7	16	76.5	41	41
29691-24-24W	G1.1/2"X11	40	24		109.4	19	110.5	55	55

注：1. 表中代号用于编织软管。 2. 如需用于缠绕软管代号改为 29692-xx-xx。  
 Note: 1. For use with braided hoses. 2. If use with spiral hoses, hose fitting series number is 29692-xx-xx.

# 扣压式软管接头 HOSE FITTING



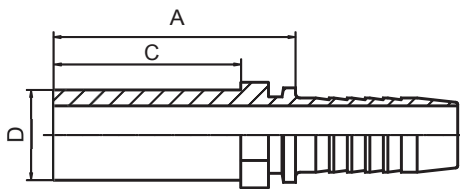
**40011**

插入式焊接软管接头  
SOCKET WELD HOSE FITTING

代号 PART NO.	管子外径 D TUBE O.D.	软管 HOSE BORE		尺寸 DIMENSIONS			
		公称内径 DN	标号 DASH	A	B		
40011-08-04	8	6	04	14.5	5		
40011-09-04	9	6	04	14.5	5		
40011-10-04	10	6	04	14.5	5		
40011-10-05	10	8	05	12.5	5		
40011-13-05	13	8	05	15	5		
40011-15-06	15	10	06	15.5	5		
40011-16-08	16	12	08	14	5		
40011-20-08	20	12	08	16.5	5		
40011-22-10	22	16	10	18	5		

注：1. 表中代号用于编织软管。 2. 如需用于缠绕软管代号改为 40012-xx-xx。  
Note: 1. For use with braided hoses. 2. If use with spiral hoses, hose fitting series number is 40012-xx-xx.

# 扣压式软管接头SWAGED HOSE FITTING



## 50011

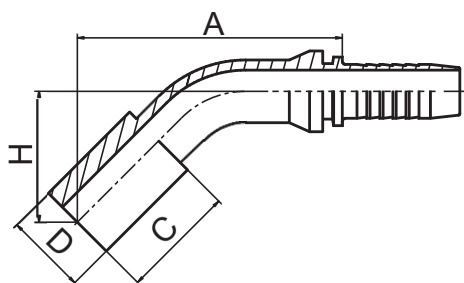
公制卡套式直管  
METRIC STANDPIPE STRAIGHT  
DIN 2353

Part No.	Hose ID (D)	Hose OD	Hose Wall	Hose ID		Hose Wall	Series	
				mm	inch			
50011-06-03	6	5	03	28.5	22		轻系列	
50011-10-05	10	8	05	31	23			
50011-12-06	12	10	06	33.5	23			
50011-15-06	15	10	06	35.5	25			
50011-18-08	18	12	08	36.5	26			
50011-22-10	22	16	10	44	28			
50011-22-16	22	25	16	46	28			
50011-35-20	35	32	20	56	36			
50011-08-04	8	6	04	31	24			重系列
50011-08-06	8	10	06	33	24			
50011-12-04	12	6	04	34.5	26			
50011-14-06	14	10	06	39.5	29			
50011-14-12	14	20	12	45.5	29			
50011-16-10	16	16	10	45.5	30			
50011-20-12	20	20	12	52.5	36			
50011-25-16	25	25	16	57	40			
50011-30-20	30	32	20	64	44			
50011-38-20	38	32	20	70	50			

注：1. 表中代号用于编织软管。 2. 如需用于缠绕软管代号改为 50012-xx-xx。  
Note: 1. For use with braided hoses. 2. If use with spiral hoses, hose fitting series number is 50012-xx-xx.



# 扣压式软管接头SWAGED HOSE FITTING



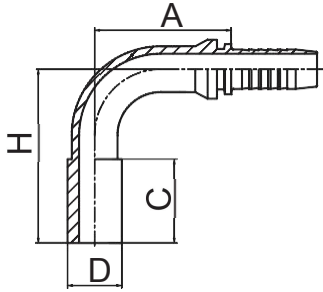
## 50041

45° 公制卡套式直管  
45° METRIC STANDPIPE STRAIGHT

50041-06-03	6	5	03	46	22	25.7	轻系列	
50041-08-05	8	8	05	52.2	24	29.2		
50041-10-05	10	8	05	51.5	23	28.5		
50041-12-06	12	10	06	53.1	23	28.8		
50041-15-08	15	12	08	66.7	25	31.8		
50041-18-10	18	16	10	78.6	26	33.8		
50041-22-12	22	20	12	86.2	28	38.8		
50041-35-20	35	32	20	111.6	36	49.3		
50041-10-04	10	6	04	51.5	26	29.4		重系列
50041-12-05	12	8	05	48.3	26	24.4		
50041-14-08	14	12	08	69.6	29	34.6		
50041-16-10	16	16	10	80.9	30	36.6		
50041-20-12	20	20	12	91.9	36	44.5		
50041-25-16	25	25	16	102.3	40	48.1		
50041-30-20	30	32	20	117.2	44	54.9		
50041-38-20	38	32	20	121.4	50	59.1		

注: 1. 表中代号用于编织软管。 2. 如需用于缠绕软管代号改为 50042-xx-xx。  
Note: 1.For use with braided hoses. 2.If use with spiral hoses, hose fitting series number is 50042-xx-xx.

# 扣压式软管接头SWAGED HOSE FITTING



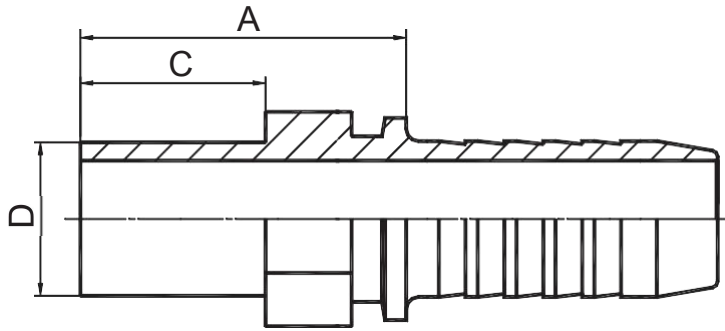
## 50091

90° 公制卡套式直管  
90° METRIC STANDPIPE STRAIGHT  
DIN 2353

50091-xx-xx	H	A	B	D				
				轻系列	重系列			
50091-06-03	6	05	03	26.5	22	42.5	轻系列	
50091-08-05	8	8	05	33	24	50.5		
50091-10-05	10	8	05	33	23	49.5		
50091-12-06	12	10	06	35.3	23	53.8		
50091-15-06	15	10	06	35.3	25	53.8		
50091-18-08	18	12	08	41	26	60		
50091-22-10	22	16	10	56.5	28	66.5		
50091-22-16	22	25	16	76.7	28	81.5		
50091-35-20	35	32	20	93	36	100.5		
50091-10-04	10	6	04	30	26	49.5		重系列
50091-12-05	12	8	05	33	26	52.5		
50091-14-08	14	12	08	41	29	63		
50091-16-10	16	16	10	56.5	30	68.5		
50091-20-12	20	20	12	65.5	36	85		
50091-25-16	25	25	16	76.7	40	93.5		
50091-30-20	30	32	20	91.5	44	108.5		
50091-38-20	38	32	20	91.5	50	114.5		

注：1. 表中代号用于编织软管。 2. 如需用于缠绕软管代号改为 50092-xx-xx。  
Note: 1.For use with braided hoses. 2.If use with spiral hoses, hose fitting series number is 50092-xx-xx.

# 扣压式软管接头HOSE FITTING



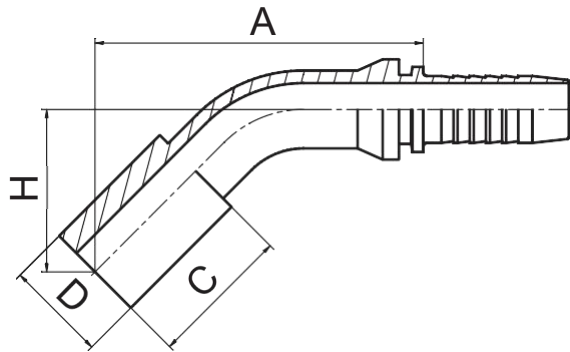
**51011**

国标卡套式直管  
GB METRIC STANDPIPE

代号 PART NO.	管子外径 D TUBE O.D.	胶管 HOSE BORE		尺寸 DIMENSIONS			
		公称内径 DN	标号 DASH	A	C		
51011-04-03	4	5	03	27	17		
51011-06-03	6	5	03	30.5	19		
51011-06-04	6	6	04	31	19		
51011-08-04	8	6	04	31	19		
51011-08-05	8	8	05	31.5	19		
51011-08-06	8	10	06	32	19		
51011-10-04	10	6	04	35	22		
51011-10-05	10	8	05	35	22		
51011-10-06	10	10	06	35	22		
51011-12-05	12	8	05	35	22		
51011-12-06	12	10	06	35	22		
51011-14-06	14	10	06	35	22		
51011-14-08	14	12	08	35.5	22		
51011-16-06	16	10	06	35	22		
51011-16-08	16	12	08	36	22		
51011-16-10	16	16	10	36.5	22		
51011-16-12	16	20	12	38	22		
51011-18-12	18	20	12	41.5	24		
51011-22-12	22	20	12	45	28		
51011-22-14	22	22	14	45	28		
51011-28-16	28	25	16	49	30		
51011-34-20	34	32	20	53	33		
51011-42-24	42	40	24	57	35		

注：1. 表中代号用于编织软管。 2. 如需用于缠绕软管代号改为 51012-xx-xx。  
Note: 1.For use with braided hoses. 2.If use with spiral hoses, hose fitting series number is51012-xx-xx.

# 扣压式软管接头HOSE FITTING



**51041**

国标卡套式 45°弯管  
GB METRIC 45°STANDPIPE

代号 PART NO.	管子外径 D TUBE O.D.	胶管 HOSE BORE		尺寸 DIMENSIONS			
		公称内径 DN	标号 DASH	A	C	H	
51041-06-04	6	6	04	46.6	19	26.6	
51041-08-04	8	6	04	46.6	19	26.6	
51041-08-05	8	8	05	48.7	19	25.7	
51041-10-04	10	6	04	48.7	22	26.6	
51041-10-06	10	10	06	52.4	22	28.1	
51041-12-06	12	10	06	52.4	22	28.1	
51041-14-06	14	10	06	52.4	22	28.1	
51041-14-08	14	12	08	64.6	22	29.7	
51041-16-10	16	16	10	75.8	22	31	
51041-18-12	18	20	12	83.4	24	36	
51041-22-14	22	22	14	86.7	28	38.3	
51041-28-16	28	25	16	96.7	30	42.4	
51041-34-20	34	32	20	109.5	33	47.2	
51041-42-24	42	40	24	123.3	35	52.6	

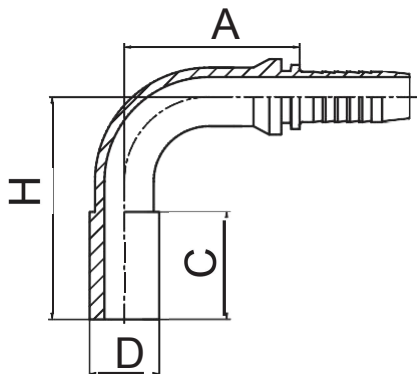
注：1. 表中代号用于编织软管。

2. 如需用于缠绕软管代号改为 51042-xx-xx。

Note: 1. For use with braided hoses.

2. If use with spiral hoses, hose fitting series number is 51042-xx-xx.

# 扣压式软管接头HOSE FITTING



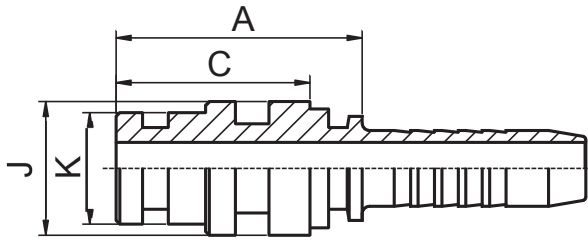
**51091**

国标卡套式 90°弯管  
GB METRIC 90°STANDPIPE

代号 PART NO.	管子外径 D TUBE O.D.	胶 管 HOSE BORE			尺 寸 DIMENSIONS		
		公称内径 DN	标号 DASH		A	C	H
51091-06-04	6	6	04		30.5	19	42.5
51091-06-06	6	10	06		35.3	19	47.8
51091-08-04	8	6	04		30	19	42.5
51091-08-05	8	8	05		33	19	45.5
51091-10-04	10	6	04		30	22	45.5
51091-10-06	10	10	06		35.8	22	50.8
51091-12-06	12	10	06		35.3	22	50.8
51091-12-08	12	12	08		41	22	56
51091-14-06	14	10	06		35.3	22	50.8
51091-14-08	14	12	08		41	22	56
51091-15-10	15	16	10		56.5	26	64.5
51091-16-08	16	12	08		42	22	56
51091-16-10	16	16	10		56.5	22	60.5
51091-18-10	18	16	10		56.5	24	62.5
51091-18-12	18	20	12		64.9	24	72
51091-22-14	22	22	14		71.2	28	77
51091-28-16	28	25	16		76.7	30	83.5
51091-34-20	34	32	20		91.5	33	97.5
51091-42-24	42	40	24		109.4	35	113

注：1. 表中代号用于编织软管。 2. 如需用于缠绕软管代号改为 20142-xx-xx。  
Note: 1.For use with braided hoses. 2.If use with spiral hoses, hose fitting series number is 20142-xx-xx.

# 扣压式软管接头SWAGED HOSE FITTING



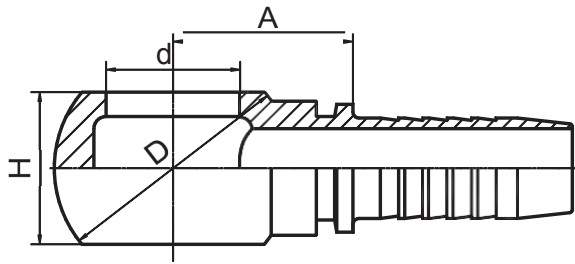
**60011**

煤炭部标准矿用接头  
MT STAPLE-LOK MALE

代号 PART NO.	胶管 HOSE BORE		尺寸 DIMENSIONS			
	公称内径 DN	标号 DASH	A	C	J	K
60011-04-04	6	04	31	25	15	11
60011-05-05	8	05	33.5	26	18	13
60011-06-06	10	06	33	26	18	15
60011-08-06	10	06	33.5	26	22	18
60011-08-08	12	08	34	26	22	18
60011-10-10	16	10	38.5	30	25	20
60011-12-12	20	12	40.5	31	28	24
60011-16-14	22	14	41	31	35	30
60011-16-16	25	16	41	31	35	30

注：1. 表中代号用于编织软管。 2. 如需用于缠绕软管代号改为 60012-xx-xx。  
 Note: 1. For use with braided hoses. 2. If use with spiral hoses, hose fitting series number is 60012-xx-xx.

# 扣压式软管接头SWAGED HOSE FITTING

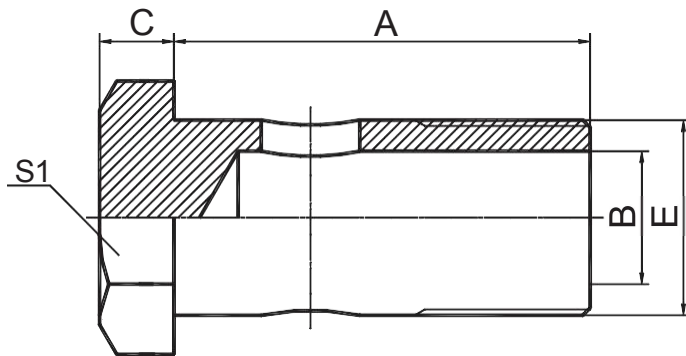


**70011**

公制铰接体  
METRIC BANJO  
DIN 7642

70011-10-03	M10X1	5	03		14.5	10.1	17	10
70011-12-04	M12X1.5	6	04		20.5	12.1	20	12
70011-12-06	M12X1.5	10	06		20.5	12.1	20	12
70011-14-05	M14X1.5	8	05		19	14.1	24	14
70011-16-04	M16X1.5	6	04		20.5	16.1	28	16
70011-16-06	M16X1.5	10	06		20.5	16.1	28	16
70011-18-05	M18X1.5	8	05		24	18.1	32	20
70011-18-08	M18X1.5	12	08		24.5	18.1	32	20
70011-22-08	M22X1.5	12	08		28.5	22.1	39	25
70011-26-12	M26X1.5	20	12		30.5	26.1	46	30
70011-30-20	M30X1.5	32	20		41	30.1	54	36
注：1. 表中代号用于编织软管。 2. 如需用于缠绕软管代号改为 70012-xx-xx。 Note: 1. For use with braided hoses. 2. If use with spiral hoses, hose fitting series number is 70012-xx-xx.								

# 扣压式软管接头HOSE FITTING



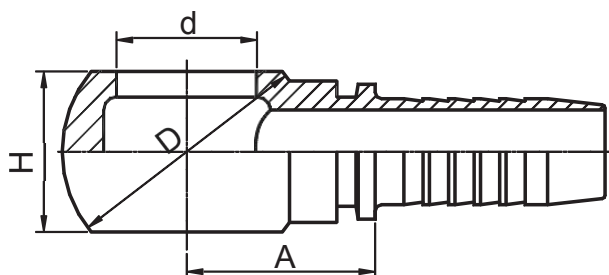
**700M**

公制铰接螺栓  
METRIC BOLT  
DIN 7643

700M-10	M10X1			19	4	6	17
700M-14	M14X1.5			26	8	7	19
700M-18	M18X1.5			32	11	8	24
700M-26	M26X1.5			45	18	10	32



# 扣压式软管接头HOSE FITTING



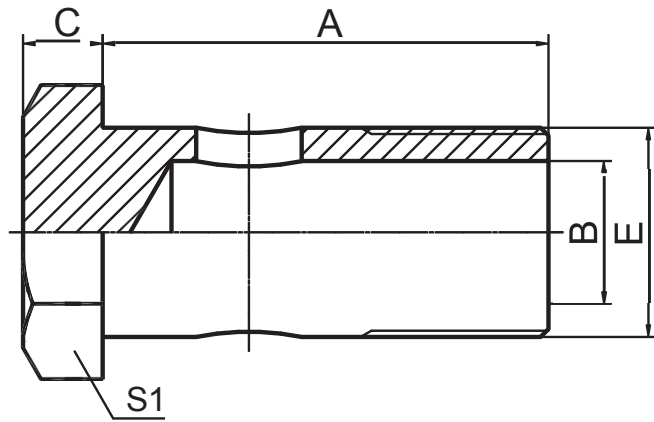
## 71011

部标公制铰接体  
JB METRIC BANJO

代号 PART NO.	螺栓 BOLT	胶管 HOSE BORE		尺寸 DIMENSIONS			
		公称内径 DN	标号 DASH	A	d	D	H
71011-06-04	M6X1	6	04	16	6	18	12
71011-08-04	M8X1	6	04	17	8	20	13
71011-10-04	M10X1	6	04	19	10	22	13
71011-10-05	M10X1	8	05	19	10	22	13
71011-10-06	M10X1	10	06	19	10	22	13
71011-12-06	M12X1.5	10	06	21	12	26	15
71011-14-04	M14X1.5	6	04	20.5	14	28	18
71011-14-05	M14X1.5	8	05	21.5	14	28	18
71011-14-06	M14X1.5	10	06	21.5	14	28	18
71011-14-08	M14X1.5	12	08	22.5	14	28	18
71011-16-05	M16X1.5	8	05	22.5	16	32	18
71011-16-08	M16X1.5	12	08	25	16	32	18
71011-18-06	M18X1.5	10	06	26.5	18	36	22
71011-18-08	M18X1.5	12	08	27	18	36	22
71011-18-10	M18X1.5	16	10	27.5	18	36	22
71011-20-06	M20X1.5	10	06	29.5	20	36	22
71011-20-08	M20X1.5	12	08	30	20	36	22
71011-22-10	M22X1.5	16	10	30.5	22	46	30
71011-22-12	M22X1.5	20	12	31	22	46	30
71011-27-10	M27X2	16	10	36.5	27	56	36
71011-27-14	M27X2	22	14	36	27	56	36
71011-27-16	M27X2	25	16	36	27	56	36
71011-33-12	M33X2	20	12	43	33	64	50
71011-42-20	M42X2	32	20	54	42	78	64

注: 1.表中代号用于编织软管。 2.如需用于缠绕软管代号改为71012-xx-xx。  
Note: 1.For use with braided hoses. 2.If use with spiral hoses, hose fitting series number is 71012-xx-xx.

# 扣压式软管接头HOSE FITTING

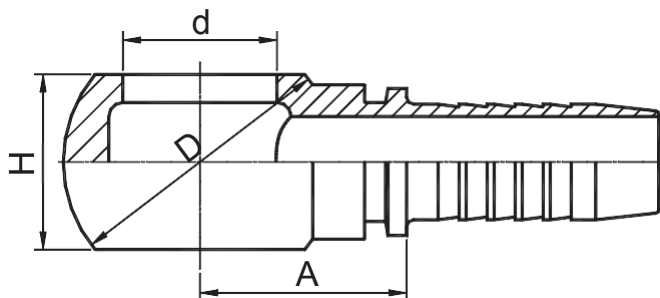


## 710M

部标公制铰接螺栓  
JB METRIC BOLT

代号 PART NO.	螺纹 E THREAD E	尺寸 DIMENSIONS			
		A	B	C	S1
710M-10	M10X1	25	4	6	17
710M-14	M14X1.5	32	8	7	19
710M-18	M18X1.5	38	11	8	24
710M-22	M22X1.5	48	14	9	30
710M-27	M27X2	60	18	10	36
710M-33	M33X2	63	22	12	41
710M-42	M42X2	85	28	14	55

# 扣压式软管接头HOSE FITTING



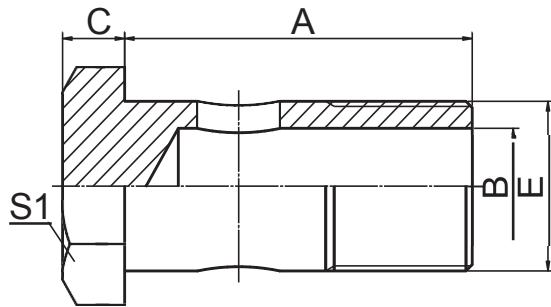
**72011**

英制铰接体  
BSP BANJO

代号 PART NO.	螺纹 E THREAD E	胶管 HOSE BORE		尺寸 DIMENSIONS			
		公称内径 DN	标号 DASH	A	d	D	H
72011-02-03	G1/8"X28	5	03	18	9.9	24	16
72011-02-04	G1/8"X28	6	04	18.5	9.9	24	16
72011-04-03	G1/4"X19	5	03	19	13.3	24	15
72011-04-04	G1/4"X19	6	04	19.5	13.3	24	15
72011-04-05	G1/4"X19	8	05	19.5	13.3	24	15
72011-04-06	G1/4"X19	10	06	19.5	13.3	24	15
72011-06-04	G3/8"X19	6	04	22	16.7	29	20
72011-06-05	G3/8"X19	8	05	22	16.7	29	20
72011-06-06	G3/8"X19	10	06	22	16.7	29	20
72011-06-08	G3/8"X19	12	08	23	16.7	29	20
72011-08-05	G1/2"X14	8	05	27.5	21	38	25
72011-08-06	G1/2"X14	10	06	27.5	21	38	25
72011-08-08	G1/2"X14	12	08	28	21	38	25
72011-08-10	G1/2"X14	16	10	29	21	38	25
72011-10-10	G5/8"X14	16	10	28	23	40	27
72011-12-10	G3/4"X14	16	10	32	26.5	48	31
72011-12-12	G3/4"X14	20	12	32	26.5	48	31
72011-16-08	G1"X11	12	08	40	33.3	60	42
72011-16-12	G1"X11	20	12	40	33.3	60	42
72011-16-16	G1"X11	25	16	41	33.3	60	42

注: 1.表中代号用于编织软管。 2.如需用于缠绕软管代号改为72012-xx-xx。  
 Note: 1.For use with braided hoses. 2.If use with spiral hoses, hose fitting series number is 72012-xx-xx.

# 扣压式软管接头HOSE FITTING

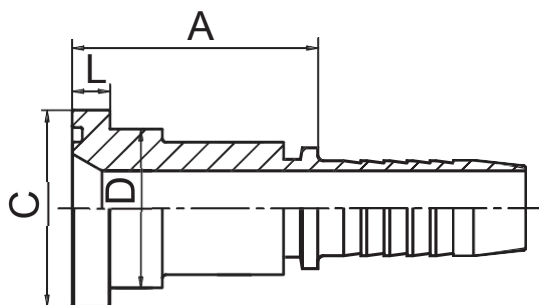


**720B**

英制铰接螺栓  
BSP BOLT

代号 PART NO.	螺纹 E THREAD E	尺寸 DIMENSIONS						
				A	B	C	S1	
720B-02	G1/8"X28			29.5	4.8	4.8	14	
720B-04	G1/4"X19			28.5	6	6	19	
720B-06	G3/8"X19			38.5	9	7	22	
720B-08	G1/2"X14			44	13	8.5	27	
720B-10	G5/8"X14			48.5	15	10	30	
720B-12	G3/4"X14			56	18	10	32	
720B-16	G1"X11			68.5	22	13	41	

# 扣压式软管接头SWAGED HOSE FITTING



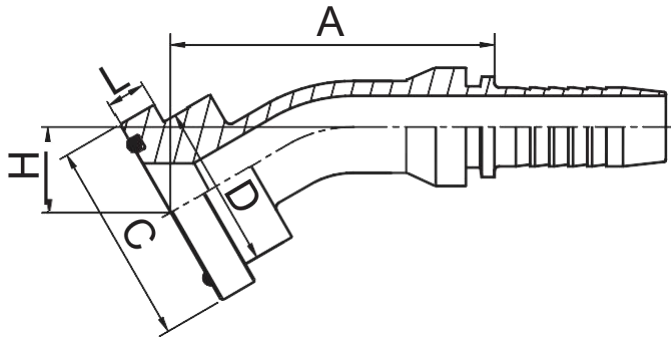
## 87311

SAE 法兰 3000 PSI  
 SAE FLANGE 3000 PSI  
 ISO 12151-3--SAE J516

Part Number	Nominal Size	Thread		Flange Diameter	Flange Thickness	Flange Width	Flange Height
		Male	Female				
87311-08-08	1/2"	12	08	46	30.2	24	6.73
87311-12-10	3/4"	16	10	48	38.1	31.7	6.73
87311-12-16	3/4"	25	16	49	38.1	31.7	6.73
87311-16-16	1"	25	16	52	44.4	38	8
87311-20-16	1.1/4"	25	16	57	50.8	43	8
87311-24-20	1.1/2"	32	20	68	60.3	50	8
87311-32-24	2"	40	24	70	71.4	62	9.53
87311-40-40	2.1/2"	64	40	76	84.1	74	9.53

注: 1. 表中代号用于编织软管。 2. 如需用于缠绕软管代号改为 87312-xx-xx。  
 Note: 1.For use with braided hoses. 2.If use with spiral hoses, hose fitting series number is 87312-xx-xx.

# 扣压式软管接头HOSE FITTING



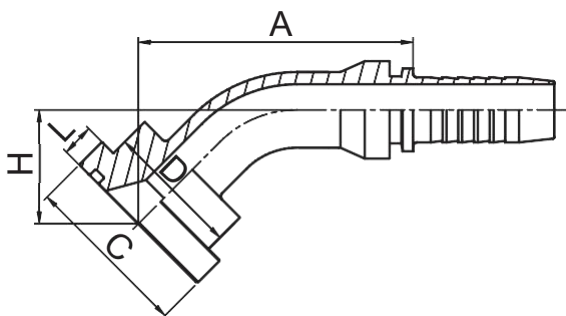
**87331**

30°SAE 法兰 3000 PSI  
30°SAE FLANGE 3000 PSI

代号 PART NO.	法兰型号 FLANGE SIZE	胶管 HOSE BORE		O 形圈	尺寸 DIMENSIONS				
		公称内径 DN	标号 DASH	O RING	A	C	D	H	L
87331-08-08	1/2"	12	08	18.64X3.53		30.2	23.9	14.7	7
87331-12-12	3/4"	20	12	24.99X3.53		38.1	31.7	18.3	7
87331-16-12	1"	20	12	32.92X3.53		44.4	38	18.3	8.2
87331-16-16	1"	25	16	32.92X3.53		44.4	38	18.3	8.2
87331-20-16	1.1/4"	25	16	37.69X3.53		50.8	43.2	18.3	8.2
87331-20-20	1.1/4"	32	20	37.69X3.53		50.8	43.2	20.5	8.2
87331-24-20	1.1/2"	32	20	47.22X3.53		60.3	50.3	23	8.2
87331-24-24	1.1/2"	40	24	47.22X3.53		60.3	50.3	24.8	8.2
87331-32-32	2"	50	32	56.74X3.53		71.4	62.2	28.6	9.8

注：1.表中代号用于编织软管。 2.如需用于缠绕软管代号改为87332-xx-xx。  
Note: 1.For use with braided hoses. 2.If use with spiral hoses, hose fitting series number is 87332-xx-xx.

# 扣压式软管接头 SWAGED HOSE FITTING



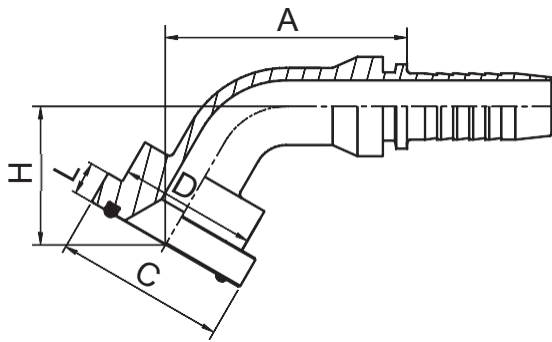
## 87341

45°SAE 法兰 3000 PSI  
 45°SAE FLANGE 3000 PSI  
 ISO 12151-3--SAE J516

Part Number	Hose Size (in)	Hose Size (mm)		Hose ID (mm)	Hose OD (mm)	Hose Wall (mm)	Hose Length (mm)	Hose Weight (kg)
		12	08					
87341-08-08	1/2"	12	08	58.2	30.2	24	23.3	6.73
87341-12-10	3/4"	16	10	69.6	38.1	31.7	25.3	6.73
87341-16-12	1"	20	12	76.3	44.4	38	28.9	8
87341-16-20	1"	32	20	94.5	44.4	38	33.8	8
87341-20-20	1.1/4"	32	20	94.5	50.8	43	33.8	8
87341-24-24	1.1/2"	40	24	109.9	60.3	50	39.1	8
87341-32-32	2"	50	32	129.3	71.4	62	46.3	9.53

注: 1. 表中代号用于编织软管。 2. 如需用于缠绕软管代号改为 87342-xx-xx。  
 Note: 1.For use with braided hoses. 2.If use with spiral hoses, hose fitting series number is 87342-xx-xx.

# 扣压式软管接头HOSE FITTING



**87361**

60°SAE 法兰 3000 PSI  
60°SAE FLANGE 3000 PSI

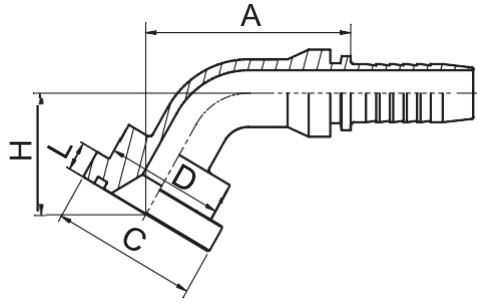
代号 PART NO.	法兰型号 FLANGE SIZE	胶管 HOSE BORE		O 形圈 O RING	尺寸 DIMENSIONS				
		公称内径 DN	标号 DASH		A	C	D	H	L
87361-08-08	1/2"	12	08	18.64X3.53		30.2	23.9	31.9	7
87361-12-08	3/4"	12	08	24.99X3.53		38.1	31.7	33.6	7
87361-12-12	3/4"	20	12	24.99X3.53		38.1	31.7	41.4	7
87361-12-16	3/4"	25	16	24.99X3.53		38.1	31.7		7
87361-16-12	1"	20	12	32.92X3.53		44.4	38	41.4	8.2
87361-16-16	1"	25	16	32.92X3.53		44.4	38	43.4	8.2
87361-16-20	1"	32	20	32.92X3.53		44.4	38		8.2
87361-20-16	1.1/4"	25	16	37.69X3.53		50.8	43.2	43.4	8.2
87361-20-20	1.1/4"	32	20	37.69X3.53		50.8	43.2	49.6	8.2
87361-20-24	1.1/4"	40	24	37.69X3.53		50.8	43.2		8.2
87361-24-20	1.1/2"	32	20	47.22X3.53		60.3	50.3	53.9	8.2
87361-24-24	1.1/2"	40	24	47.22X3.53		60.3	50.3	60.7	8.2
87361-32-24	2"	40	24	56.74X3.53		71.4	62.2	60.7	9.8
87361-32-32	2"	50	32	56.74X3.53		71.4	62.2	71.9	9.8
87361-40-32	2.1/2"	50	32	69.44X3.53		84.1	74.4		9.8

注: 1.表中代号用于编织软管。  
Note: 1.For use with braided hoses.

2.如需用于缠绕软管代号改为87362-xx-xx。  
2.If use with spiral hoses, hose fitting series number is 87362-xx-xx.



# 扣压式软管接头HOSE FITTING

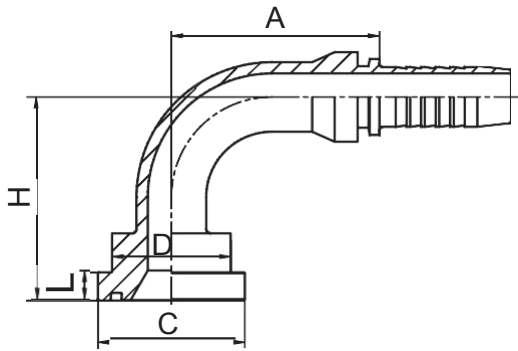


## 87361(V62.5)

62.5°SAE 法兰 3000 PSI  
 62.5°SAE FLANGE 3000  
 PSI

代号 PART NO.	法兰型号 FLANGE SIZE	胶管 HOSE BORE		尺寸 DIMENSIONS				
		公称内径 DN	标号 DASH	A	C	D	H	L
87361-12-12(V62.5)	3/4"	20	12	102.2	38.1	32	42.4	6.73
87361-16-16(V62.5)	1"	25	16	105	44.4	38	44.7	8
87361-20-20(V62.5)	1.1/4"	32	20	122.8	50.8	43	51.3	8
87361-24-24(V62.5)	1.1/2"	40	24	146.6	60.3	50	60.4	8

# 扣压式软管接头SWAGED HOSE FITTING



## 87391

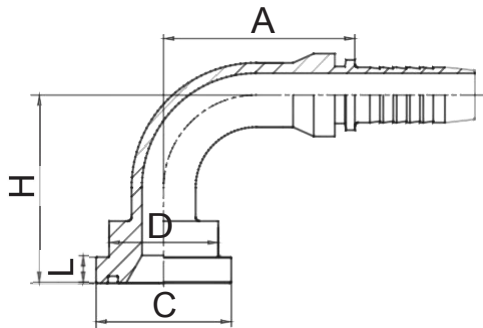
90°SAE 法兰 3000 PSI  
 90°SAE FLANGE 3000 PSI  
 ISO 12151-3--SAE J516

Part Number	Hose Size	Hose ID		Hose Length	Hose Weight	Hose Weight	Hose Weight	Hose Weight	Hose Weight
		12	08						
87391-08-08	1/2"	12	08		41	30.2	24	47	6.73
87391-12-10	3/4"	16	10		56	38.1	31.7	52.5	6.73
87391-12-16	3/4"	25	16		76.7	38.1	31.7	67.5	6.73
87391-16-16	1"	25	16		76.7	44.4	38	67.5	8
87391-20-16	1.1/4"	25	16		76.7	50.8	43	67.5	8
87391-20-24	1.1/4"	40	24		107	50.8	43	78.5	8
87391-24-24	1.1/2"	40	24		109.4	60.3	50	94	8
87391-32-32	2"	50	32		131.8	71.4	62	114.3	9.53

注：1. 表中代号用于编织软管。 2. 如需用于缠绕软管代号改为 87392-xx-xx。

Note: 1. For use with braided hoses. 2. If use with spiral hoses, hose fitting series number is 87392-xx-xx.

# 扣压式软管接头HOSE FITTING

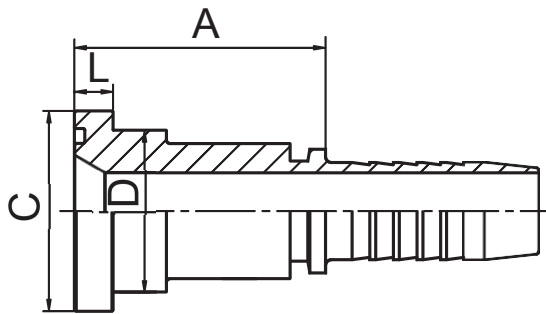


## 87391-H

90° SAE 法兰 3000 PSI  
90° SAE FLANGE 3000 PSI

代号 PART NO.	法兰型号 FLANGE SIZE	胶管 HOSE BORE		尺寸 DIMENSIONS				
		公称内径 DN	标号 DASH	A	C	D	H	L
87391-12-12(H90)	3/4"	20	12	65.5	38.1	32	90	6.73
87391-12-12(H100)	3/4"	20	12	65.5	38.1	32	100	6.73
87391-12-12(H127)	3/4"	20	12	65.5	38.1	32	127	6.73
87391-12-12(H150)	3/4"	20	12	65.5	38.1	32	150	6.73
87391-16-16(H100)	1"	25	16	76.7	44.4	38	100	8
87391-16-16(H127)	1"	25	16	76.7	44.4	38	127	8
87391-16-16(H150)	1"	25	16	76.7	44.4	38	150	8
87391-20-20(H100)	1.1/4"	32	20	91.5	50.8	43	100	8
87391-20-20(H127)	1.1/4"	32	20	91.5	50.8	43	127	8
87391-20-20(H150)	1.1/4"	32	20	91.5	50.8	43	150	8
87391-24-24(H127)	1.1/2"	40	24	109.4	60.3	50	127	8

# 扣压式软管接头SWAGED HOSE FITTING



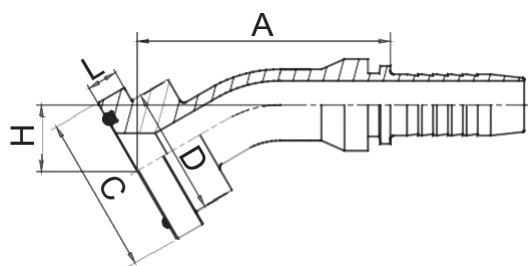
## 87611

SAE 法兰 6000 PSI  
 SAE FLANGE 6000 PSI  
 ISO 12151-3--SAE J516

Part Number	Hose Size	Hose Dimensions		Fitting Dimensions			
		OD (mm)	ID (mm)	Length (mm)	Flange Length (mm)	Flange OD (mm)	Flange ID (mm)
87611-08-08	1/2"	12	08	47	31.7	24	7.75
87611-12-12	3/4"	20	12	51	41.3	32	8.76
87611-16-16	1"	25	16	57	47.6	38	9.53
87611-20-16	1.1/4"	25	16	65	54	44	10.29
87611-24-20	1.1/2"	32	20	75	63.5	51	12.57
87611-32-24	2"	40	24	85	79.4	67	12.57

注: 1. 表中代号用于编织软管。 2. 如需用于缠绕软管代号改为 87612-xx-xx。  
 Note: 1.For use with braided hoses. 2.If use with spiral hoses, hose fitting series number is 87612-xx-xx.

# 扣压式软管接头HOSE FITTING

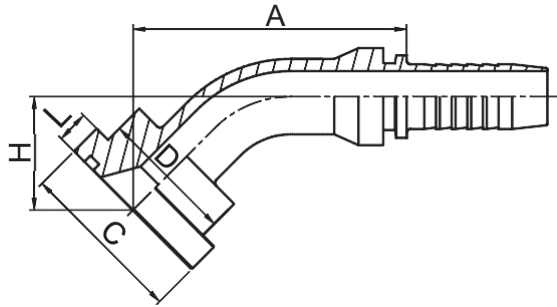


**87631**

30°SAE 法兰 6000 PSI  
30°SAE FLANGE 6000 PSI

代号 PART NO.	法兰型号 FLANGE SIZE	胶管 HOSE BORE		O形圈 O RING	尺寸 DIMENSIONS				
		公称内径 DN	标号 DASH		A	C	D	H	L
87631-08-08	1/2"	12	08	18.64X3.53		31.7	23.9	15.7	7.9
87631-12-12	3/4"	20	12	24.99X3.53		41.3	31.7	19.8	8.9
87631-16-12	1"	20	12	32.92X3.53		47.6	38		9.6
87631-16-16	1"	25	16	32.92X3.53		47.6	38	20.8	9.6
87631-16-20	1"	32	20	32.92X3.53		47.6	38		9.6
87631-20-16	1.1/4"	25	16	37.69X3.53		54	43.6		10.4
87631-20-20	1.1/4"	32	20	37.69X3.53		54	43.6	24	10.4
87631-24-20	1.1/2"	32	20	47.22X3.53		63.5	50.8	25.5	12.7
87631-24-24	1.1/2"	40	24	47.22X3.53		63.5	50.8	27.3	12.7
87631-32-24	2"	40	24	56.74X3.53		79.4	66.5	27.3	12.7
87631-32-32	2"	50	32	56.74X3.53		79.4	66.5	31.2	12.7

# 扣压式软管接头SWAGED HOSE FITTING



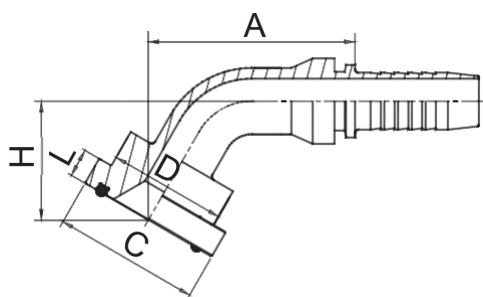
## 87641

45°SAE 法兰 6000 PSI  
 45°SAE FLANGE 6000 PSI  
 ISO 12151-3--SAE J516

Part Number	Nominal Size	Bore		Dimensions (mm)				
		Inner	Outer	A	B	C	D	H
87641-08-08	1/2"	12	08	58.9	31.7	24	24	7.75
87641-12-10	3/4"	16	10	72.5	41.3	32	28.2	8.76
87641-16-16	1"	25	16	88.9	47.6	38	34.7	9.53
87641-24-20	1.1/2"	32	20	105.8	63.5	51	45.1	12.57
87641-32-24	2"	40	24	125.4	79.4	67	54.7	12.57

注: 1. 表中代号用于编织软管。 2. 如需用于缠绕软管代号改为 87642-xx-xx。  
 Note: 1.For use with braided hoses. 2.If use with spiral hoses, hose fitting series number is 87642-xx-xx.

# 扣压式软管接头HOSE FITTING

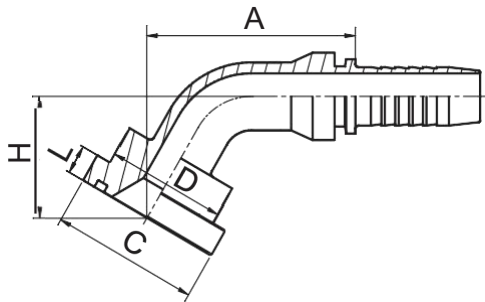


**87661**

60° SAE 法兰 6000 PSI  
60° SAE FLANGE 6000 PSI

代号 PART NO.	法兰型号 FLANGE SIZE	胶管 HOSE BORE		O形圈 O RING	尺寸 DIMENSIONS				
		公称内径 DN	标号 DASH		A	C	D	H	L
87661-08-08	1/2"	12	08	18.64X3.53		31.7	23.9	33.6	7.9
87661-12-12	3/4"	20	12	24.99X3.53		41.3	31.7	44	8.9
87661-16-12	1"	20	12	32.92X3.53		47.6	38		9.6
87661-16-16	1"	25	16	32.92X3.53		47.6	38	47.7	9.6
87661-16-20	1"	32	20	32.92X3.53		47.6	38		9.6
87661-20-16	1.1/4"	25	16	37.69X3.53		54	43.6		10.4
87661-20-20	1.1/4"	32	20	37.69X3.53		54	43.6	55.7	10.4
87661-24-20	1.1/2"	32	20	47.22X3.53		63.5	50.8	58.3	12.7
87661-24-24	1.1/2"	40	24	47.22X3.53		63.5	50.8	65	12.7
87661-32-24	2"	40	24	56.74X3.53		79.4	66.5	65	12.7
87661-32-32	2"	50	32	56.74X3.53		79.4	66.5	76.3	12.7

# 扣压式软管接头HOSE FITTING



## 87661(V62.5)

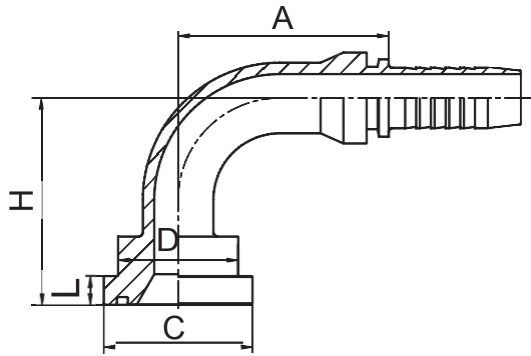
62.5°SAE 法兰 6000 PSI  
62.5°SAE FLANGE 6000  
PSI

代号 PART NO.	法兰型号 FLANGE SIZE	胶管 HOSE BORE		尺寸 DIMENSIONS				
		公称内径 DN	标号 DASH	A	C	D	H	L
87661-12-12(V62.5)	3/4"	20	12	93.3	41.3	32	46	8.76
87661-16-16(V62.5)	1"	25	16	108.3	47.6	38	50.9	9.53
87661-20-20(V62.5)	1.1/4"	32	20	127.8	54	44	61.1	10.29
87661-24-24(V62.5)	1.1/2"	40	24	153	63.5	51	72.8	12.57

注: 1.表中代号用于编织软管。 2.如需用于缠绕软管代号改为87662-xx-xx。  
Note: 1.For use with braided hoses. 2.If use with spiral hoses, hose fitting series number is 87662-xx-xx.



# 扣压式软管接头SWAGED HOSE FITTING



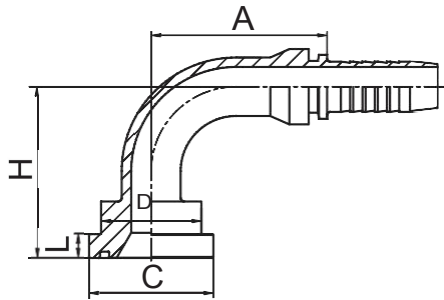
## 87691

90°SAE 法兰 6000 PSI  
 90°SAE FLANGE 6000 PSI  
 ISO 12151-3--SAE J516

Part Number	Hose Size (in)	Hose ID (in)		Hose Length (in)	Hose Weight (lb)	Hose Weight (kg)	Hose Length (m)	Hose Weight (kg)
		12	08					
87691-08-08	1/2"	12	08	41	31.7	24	48	7.75
87691-12-12	3/4"	20	12	65.5	41.3	32	66	8.76
87691-16-16	1"	25	16	76.7	47.6	38	74.5	9.53
87691-20-16	1.1/4"	25	16	76.7	54	44	78.5	10.29
87691-24-20	1.1/2"	32	20	91.5	63.5	51	94.5	12.57
87691-32-24	2"	40	24	109.4	79.4	67	116	12.57

注: 1. 表中代号用于编织软管。 2. 如需用于缠绕软管代号改为 87692-xx-xx。  
 Note: 1.For use with braided hoses. 2.If use with spiral hoses, hose fitting series number is 87692-xx-xx.

# 扣压式软管接头HOSE FITTING



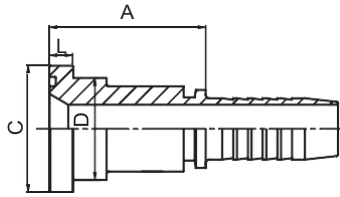
## 87691-H

90°SAE 法兰 6000 PSI  
90°SAE FLANGE 6000 PSI

代号 PART NO.	法兰型号 FLANGE SIZE	胶管 HOSE BORE		尺寸 DIMENSIONS				
		公称内径 DN	标号 DASH	A	C	D	H	L
87691-12-12(H100)	3/4"	20	12	65.5	41.3	32	100	8.76
87691-12-12(H127)	3/4"	20	12	65.5	41.3	32	127	8.76
87691-12-12(H150)	3/4"	20	12	65.5	41.3	32	150	8.76
87691-16-16(H100)	1"	25	16	76.7	47.6	38	100	9.53
87691-16-16(H127)	1"	25	16	76.7	47.6	38	127	9.53
87691-16-16(H150)	1"	25	16	76.7	47.6	38	150	9.53
87691-20-20(H100)	1.1/4"	32	20	91.5	54	44	100	10.29
87691-20-20(H127)	1.1/4"	32	20	91.5	54	44	127	10.29
87691-20-20(H150)	1.1/4"	32	20	91.5	54	44	150	10.29
87691-24-24(H100)	1.1/2"	40	24	109.4	63.5	51	100	12.57
87691-24-24(H127)	1.1/2"	40	24	109.4	63.5	51	127	12.57

注: 1.表中代号用于编织软管。 2.如需用于缠绕软管代号改为87X92-xx-xx。  
Note: 1.For use with braided hoses. 2.If use with spiral hoses, hose fitting series number is 87X92-xx-xx.

# 扣压式软管接头SWAGED HOSE FITTING

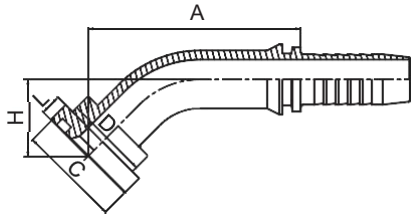


**88111**

日制法兰  
JIS FLANGE

代号	法兰型号	胶管 HOSE BORE		尺寸 DIMENSIONS				
		公称内径 DN	标号 DASH	A	C	D	H	L
88111-10-08	5/8"	12	08	45	34.2	27.8	6.7	
88111-10-12	5/8"	20	12	46	34.2	27.8	6.7	

注：1. 表中代号用于编织软管。 2. 如需用于缠绕软管代号改为 88112-xx-xx。  
Note: 1.For use with braided hoses. 2.If use with spiral hoses, hose fitting series number is 88112-xx-xx.

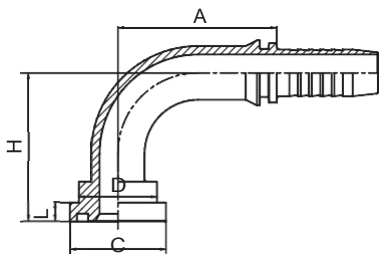


**88141**

45°日制法兰  
45° JIS FLANGE

代号	法兰型号	胶管 HOSE BORE		尺寸 DIMENSIONS				
		公称内径 DN	标号 DASH	A	C	D	H	L
88141-10-08	5/8"	12	08	58.9	34.2	27.8	24	6.7
88141-10-10	5/8"	16	10	69.6	34.2	27.8	25.3	6.7
88141-10-12	5/8"	20	12	76.3	34.2	27.8	28.9	6.7

注：1. 表中代号用于编织软管。 2. 如需用于缠绕软管代号改为 88142-xx-xx。  
Note: 1.For use with braided hoses. 2.If use with spiral hoses, hose fitting series number is 88142-xx-xx.



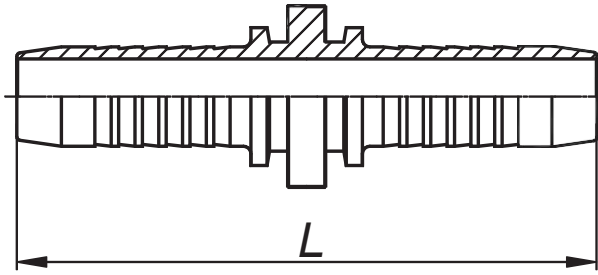
**88191**

90°日制法兰  
90° JIS FLANGE

代号	法兰型号	胶管 HOSE BORE		尺寸 DIMENSIONS				
		公称内径 DN	标号 DASH	A	C	D	H	L
88191-10-08	5/8"	12	08	41	34.2	27.8	48	6.7
88191-10-12	5/8"	20	12	66.2	34.2	27.8	62	6.7

注：1. 表中代号用于编织软管。 2. 如需用于缠绕软管代号改为 88192-xx-xx。  
Note: 1.For use with braided hoses. 2.If use with spiral hoses, hose fitting series number is 88192-xx-xx.

# 扣压式软管接头HOSE FITTING



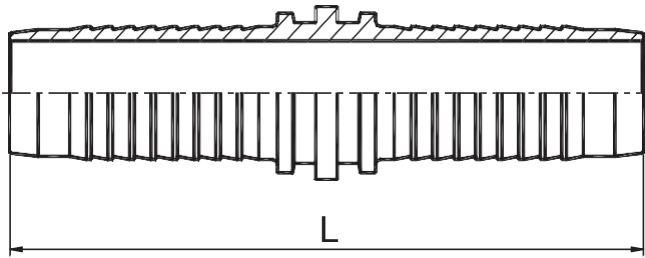
**90011**

双面连接芯  
DOUBLE CONNECTOR

代号 PART NO.	胶管HOSE BORE		尺寸 DIMENSIONS			
	公称内径DN	标号 DASH			L	
90011-04	6	04			69	
90011-05	8	05			69	
90011-06	10	06			73	
90011-08	12	08			77	
90011-10	16	10			83	
90011-12	20	12			93	
90011-16	25	16			114	
90011-20	32	20			132	
90011-24	40	24			162	
90011-32	50	32			170	

注：用于编织软管。 Note:For wire braid hose.

# 扣压式软管接头HOSE FITTING



**90012**

双面连接芯  
DOUBLE CONNECTOR

代号 PART NO.	胶管HOSE BORE		尺寸 DIMENSIONS			
	公称内径DN	标号 DASH		L		
90012-04	6	04		83		
90012-05	8	05		87		
90012-06	10	06		87		
90012-08	12	08		91		
90012-10	16	10		97		
90012-12	20	12		110		
90012-16	25	16		134		
90012-20	32	20		153		
90012-24	40	24		172		
90012-32	50	32		178		

注：用于缠绕软管。 Note:For spirial hose.